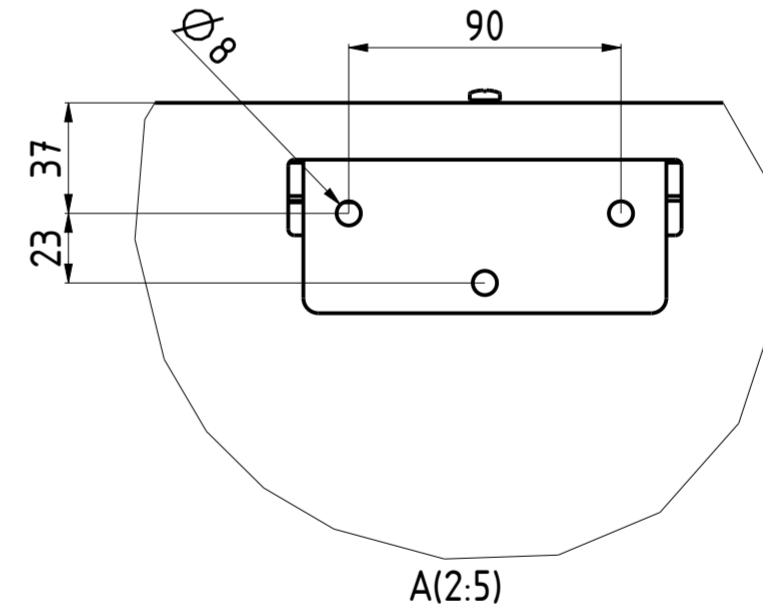
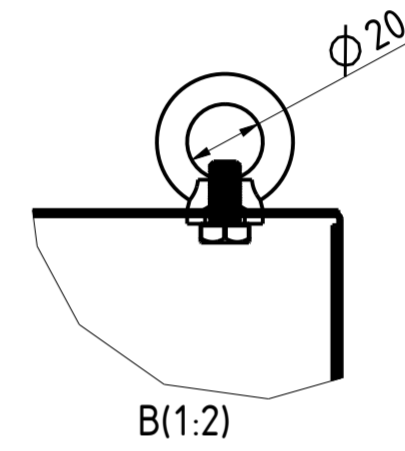
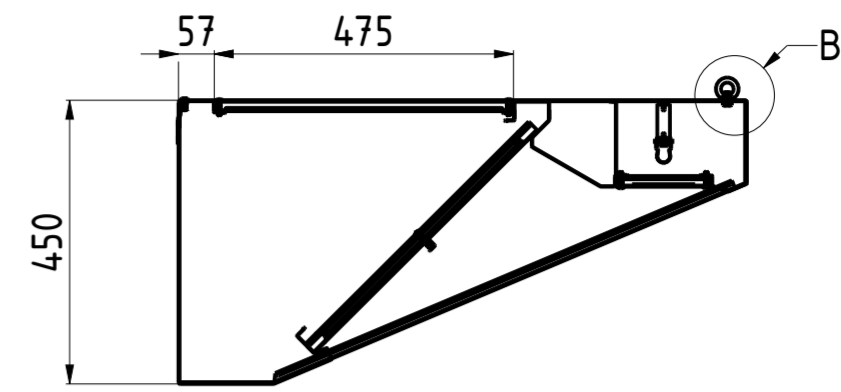


BACK VIEW



LUNGH. E DIAM. LENGHT AND DIAM.		0-5	$\pm 0.10$	5-10	$\pm 0.15$	10-18	$\pm 0.20$	18-30	$\pm 0.25$	30-50	$\pm 0.30$	50-80	$\pm 0.35$	80-120	$\pm 0.40$	120-180	$\pm 0.45$	180-250	$\pm 0.50$	250-315	$\pm 0.55$	315-400	$\pm 0.60$	400-500	$\pm 0.65$	>500	$\pm 0.75$		
ANGOLI Angles		$\pm 30'$																											
QUOTA PRIMARIA PRIMARY DIMENSION		XX																											
ELABORATO CON SISTEMA CAD DESIGNED BY CAD/STEM																													

QUOTE SENZA TOLLERANZA TOLLERANCE UNLESS OTHERWISE STATED