

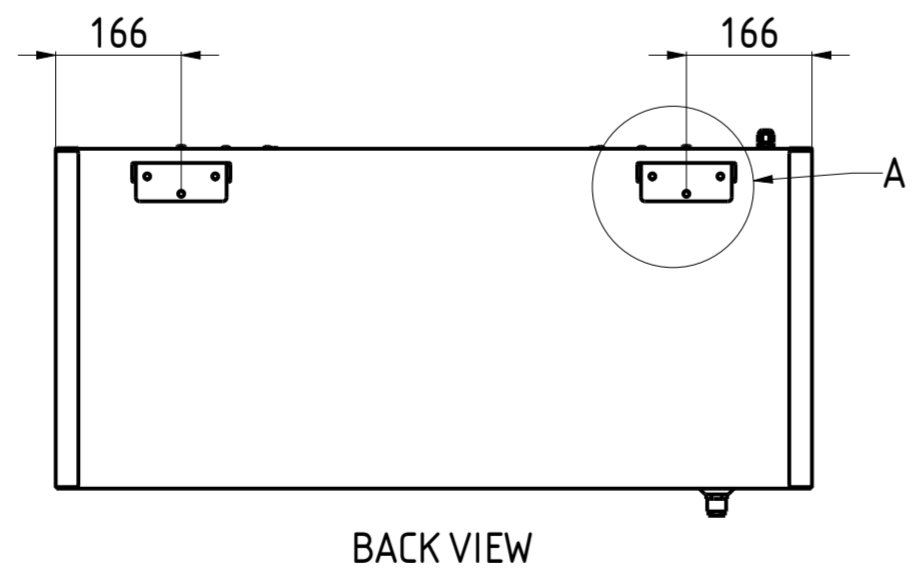
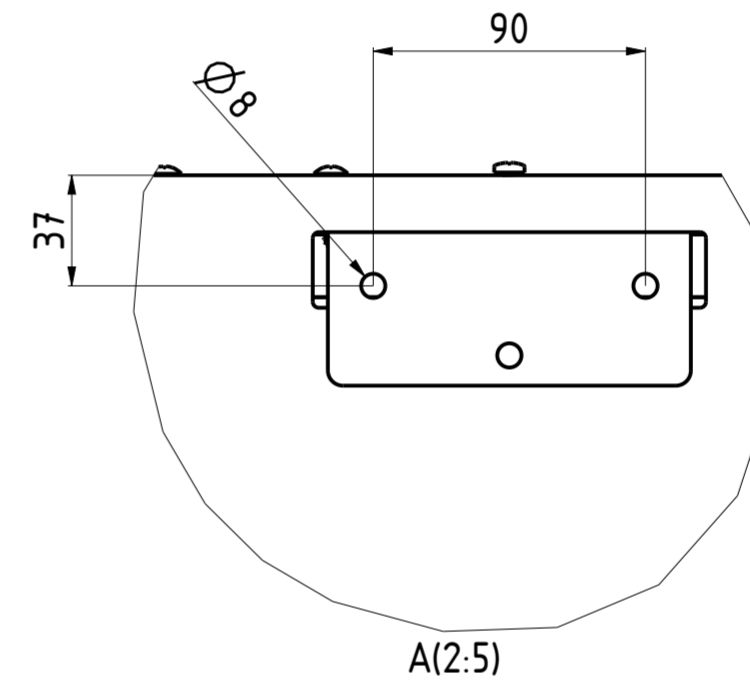
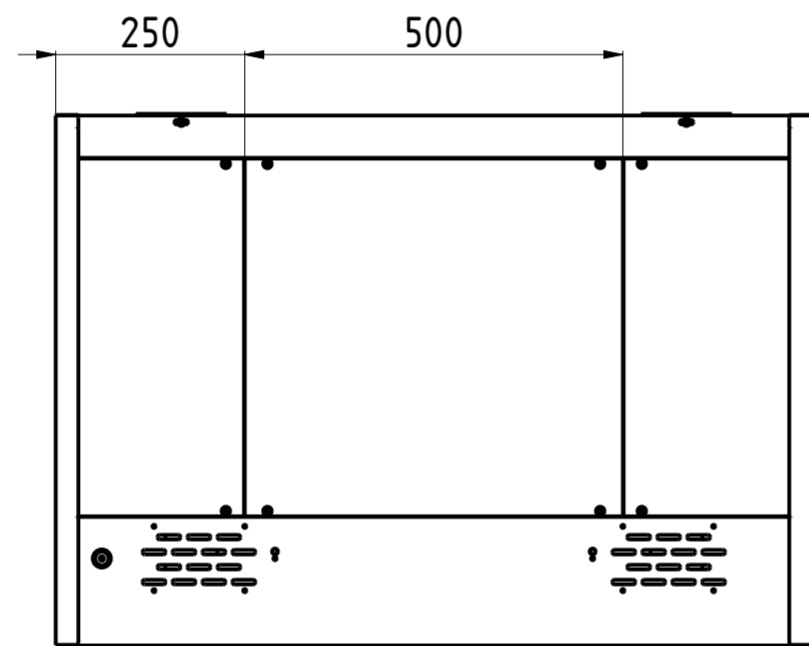
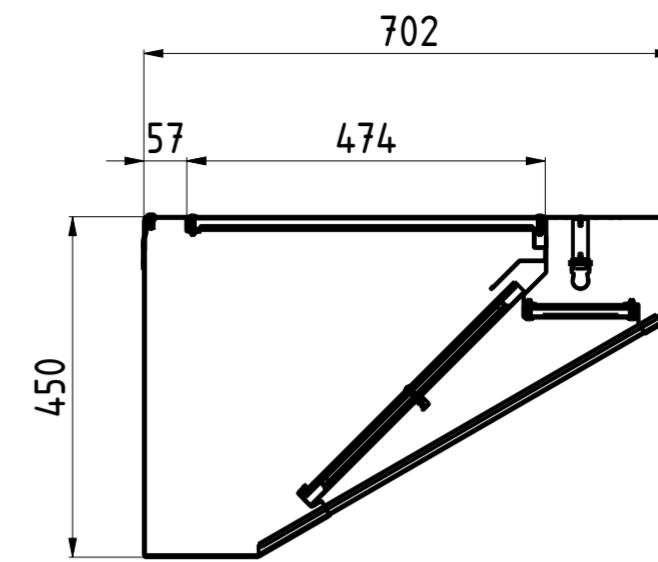
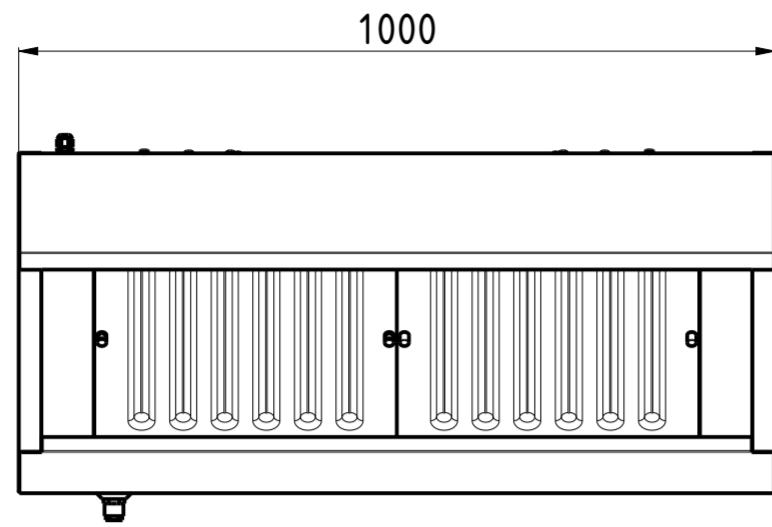
1

2

3

4

5



BACK VIEW

ELABORATO CON SISTEMA CAD
DESIGNED BY CADSTEM

QUOTA PRIMARIA
PRIMARY DIMENSION
XX

ANGOLI
Angles
30°

QUOTE SENZA TOLLERANZA TOLLERANCE UNLESS OTHERWISE STATED

0-5	±0.10	0-5	±0.15	5-10	±0.20	10-18	±0.25	18-30	±0.30	30-50	±0.35	50-80	±0.40	80-120	±0.45	120-180	±0.50	180-250	±0.55	250-315	±0.60	315-400	±0.65	400-500	±0.70	>500	±0.75
LUNGH. E DIAM. LENGHT AND DIAM.																											

1

2

3

4