

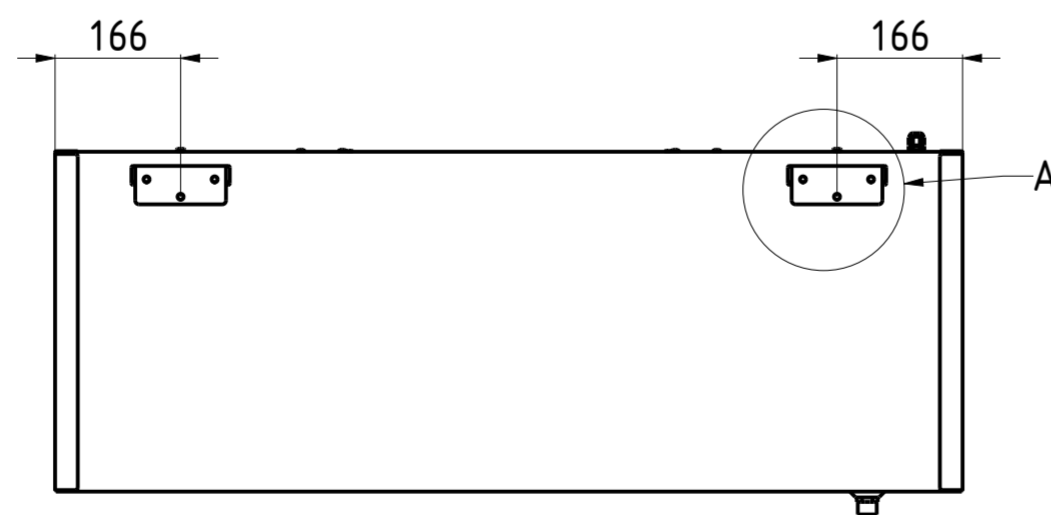
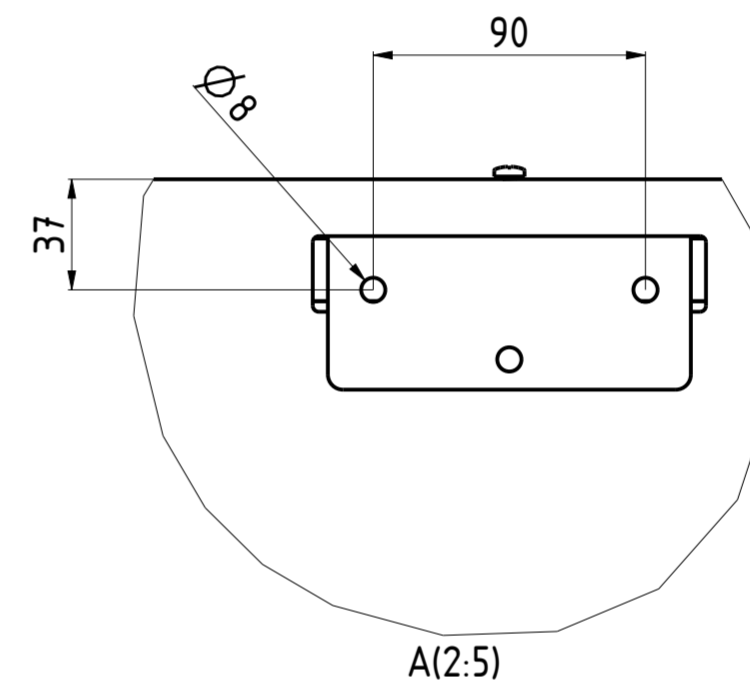
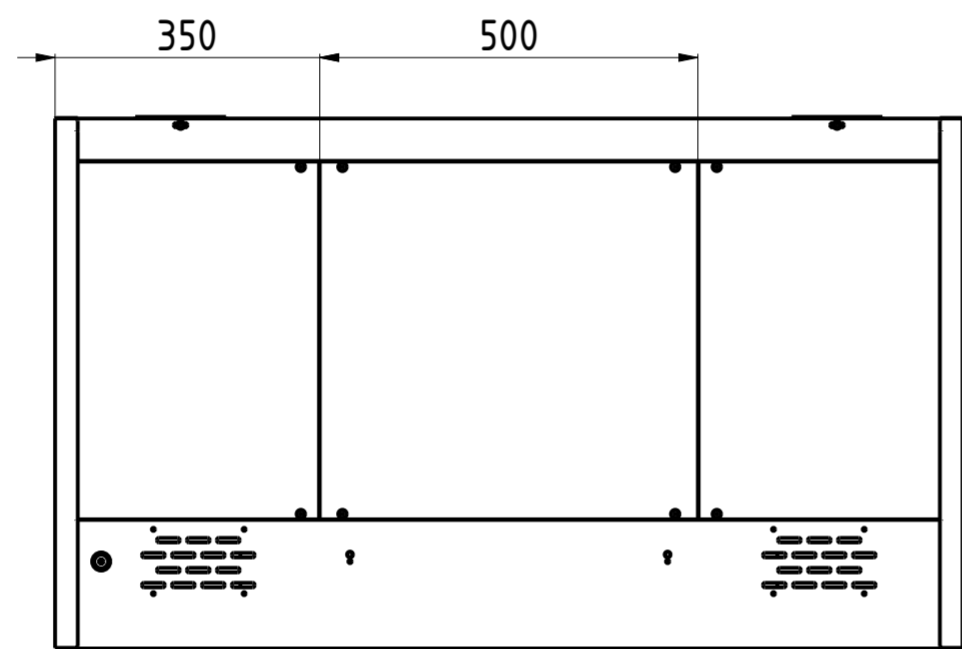
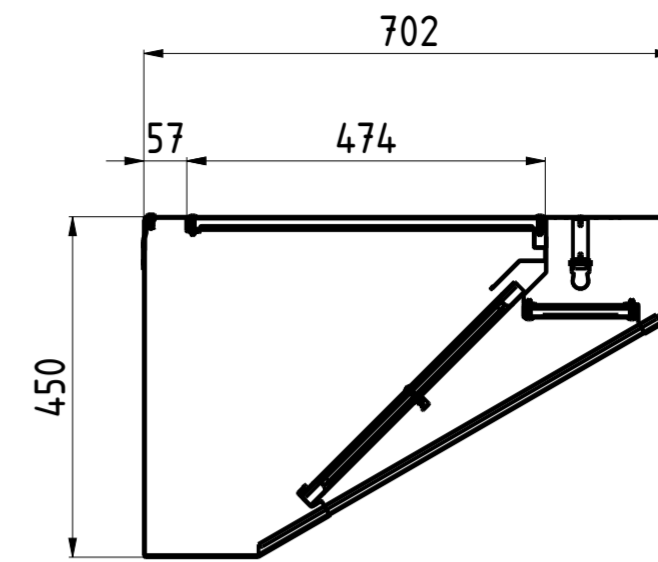
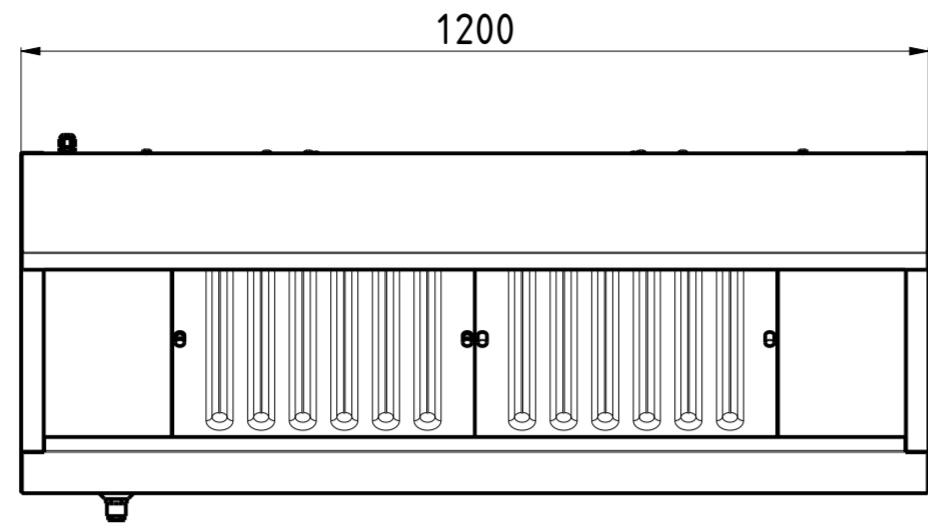
1

2

3

4

5



BACK VIEW

1

2

3

4

| | | | | | | | | | | | | | |
|--|------------------------------------|-------|-------|-------|-------|-------|--------|---------|---------|---------|---------|---------|-------|
| QUOTE SENZA TOLLERANZA | TOLLERANCE UNLESS OTHERWISE STATED | | | | | | | | | | | | |
| LUNGH. E DIAM. / LENGTH AND DIAM. | 0-5 | 5-10 | 10-18 | 18-30 | 30-50 | 50-80 | 80-120 | 120-180 | 180-250 | 250-315 | 315-400 | 400-500 | >500 |
| | ±0.10 | ±0.15 | ±0.20 | ±0.25 | ±0.30 | ±0.35 | ±0.40 | ±0.45 | ±0.50 | ±0.55 | ±0.60 | ±0.65 | ±0.75 |
| ANGOLI / Angles | ±0.30° | | | | | | | | | | | | |
| QUOTA PRIMARIA / PRIMARY DIMENSION | XX | | | | | | | | | | | | |
| ELABORATO CON SISTEMA CAD / DESIGNED BY CAD/STEM | | | | | | | | | | | | | |