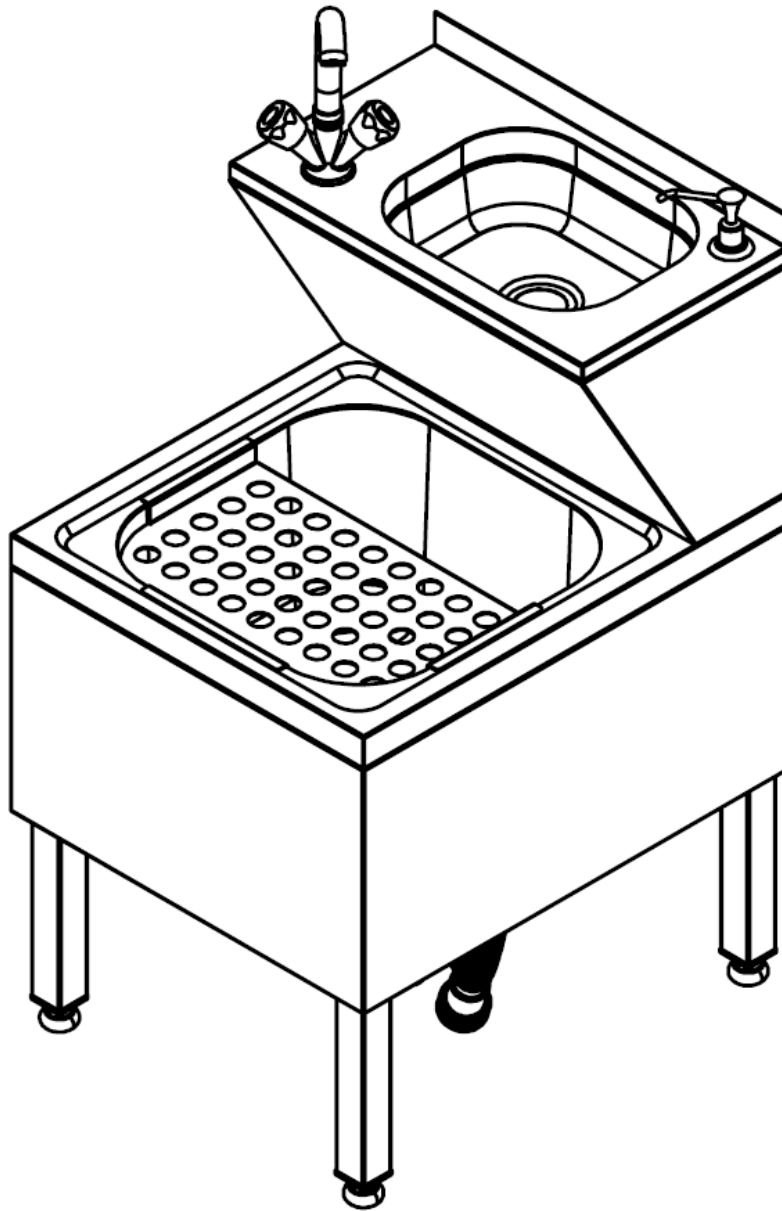


DEMOUNTABLE JANITORIAL SINK UNITS

INSTALLATION & USER MANUAL



1. HWB56KS

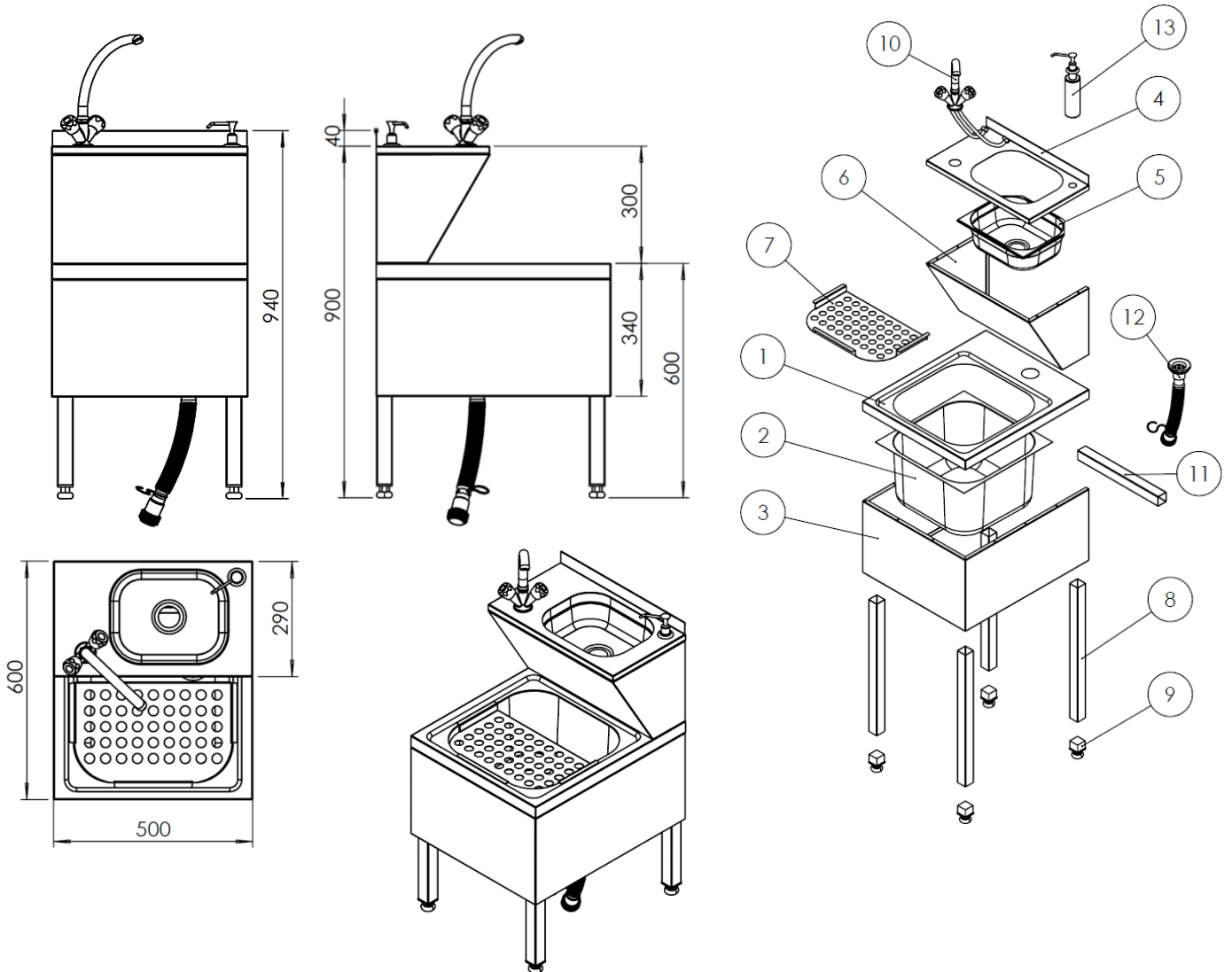
2. HWB57KS

TECHNICAL DATA

1. HWB56KS MODEL

Dimensions: 500 x 600 x 940 mm.

Raw material: AISI 304 Stainless steel.

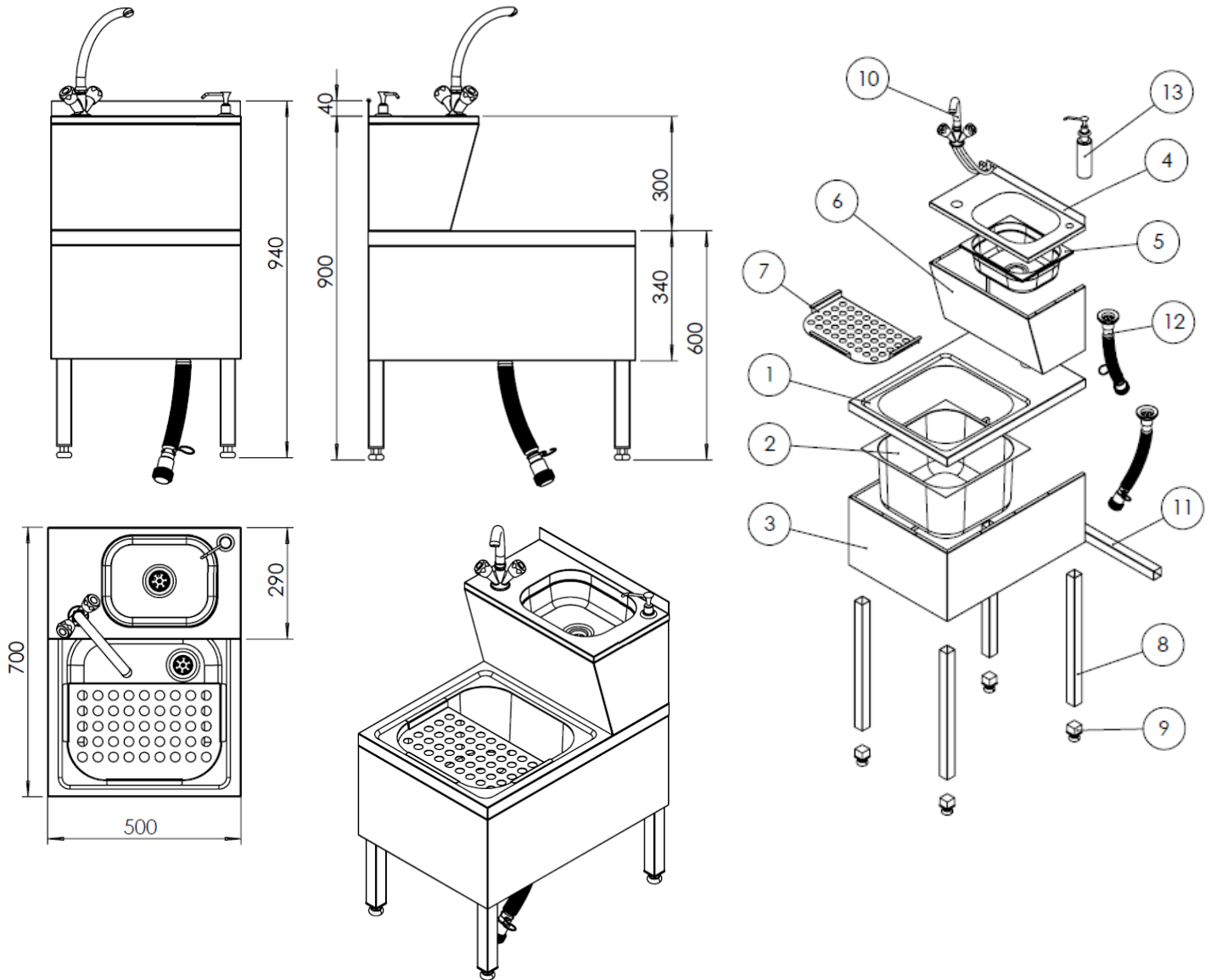


Product Components		
Part No.	Part Name	Piece
1	50x60 cm Table of bottom sink top (1x602x669mm)	1
2	40x40x25 cm Sink	1
3	50x60 cm Cover for bottom sink top (0,8x326x1722mm)	1
4	50x29 cm Table of upper sink top (0,8x363x562mm)	1
5	GN 1/2 H:100mm	1
6	50x60 cm Cover for upper sink top (0,8x412x1022mm)	1
7	50x60 cm Filter (1,5x294x464mm)	1
8	40x40 mm Leg H:564mm	4
9	Adjustable foot	4
10	Tap	1
11	40x40 mm Rear support H:390mm	1
12	Siphon	2
13	Soap dispenser (Optional)	1

2. 500x700x900 MODEL

Dimensions: 500 x 700 x 940 mm.

Raw material: AISI 304 Stainless steel.



Product Components		
Part No.	Part Name	Piece
1	50x60 cm Table of bottom sink top (1x602x669mm)	1
2	40x40x25 cm Sink	1
3	50x60 cm Cover for bottom sink top (0,8x326x1722mm)	1
4	50x29 cm Table of upper sink top (0,8x363x562mm)	1
5	GN 1/2 H:100mm	1
6	50x60 cm Cover for upper sink top (0,8x412x1022mm)	1
7	50x60 cm Filter (1,5x294x464mm)	1
8	40x40 mm Leg H:564mm	4
9	Adjustable foot	4
10	Tap	1
11	40x40 mm Rear support H:390mm	1
12	Siphon	2
13	Soap dispenser (Optional)	1

INSTALLATION

MOUNTING

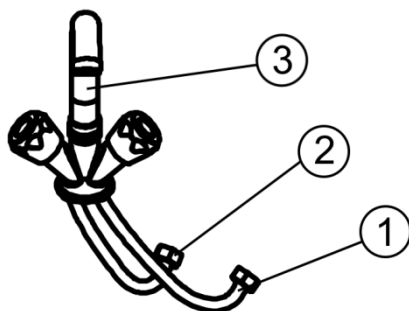
1. The tap is placed in the hole at the left side. (Part 10)
2. The soap dispenser is placed in the hole at the left side. (Part 1)
3. Syphons installed to drainage
4. The upper part is fixed to the lower part by the bolts and the nuts in the fittings bag.

PLUMBING INSTALLATION

Make sure that the plumbing installation, as shown in the following tables and pictures. Only water and tap connections must be made by the customer. Other installation connections have been made by the manufacturer.

Balanced water pressure supplies required. (*Pressure range: 1.5-3 Bar*)

WATER CONNECTION



Part No.	Part Description
1	Cold water inlet (3/8" Flexible hose)
2	Hot water inlet (3/8" Flexible hose)
3	Tap (There may be model differences according to customer request.)

CLEANING AND MAINTENANCE

- The janitorial sink unit parts must be cleaned whenever necessary, with soapy water and a sponge or a soft cloth only.
- For descaling, we recommend the use of liquid descaling products.
- Do not use abrasive or corrosive products (solvents, scouring powder, acid detergents, chlorinate)
- Maintenance operations are limited to the replacement of damaged or worn out parts, particularly when leaks are noticed. In this case, you are recommended to call a qualified professional and to use only original spare parts.



GGM Gastro International GmbH
Weinerpark 16
D-48607 Ochtrup

www.ggmgastro.com info@ggmgastro.com
+49 2553 7220 0