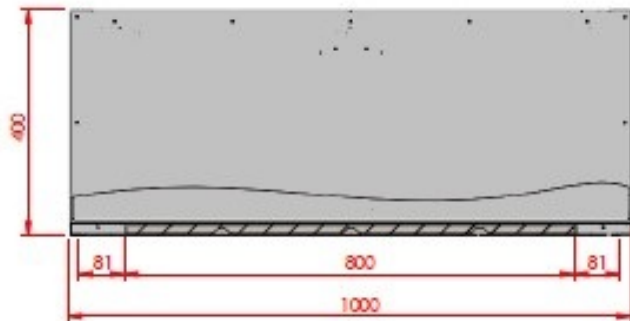
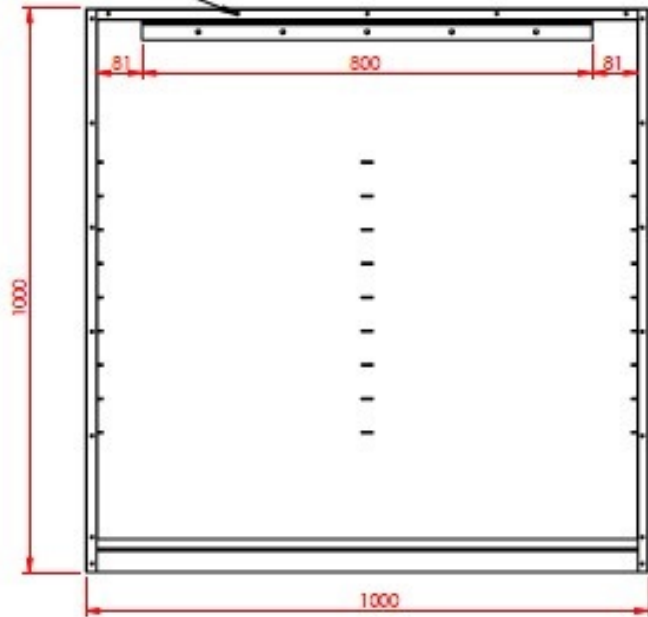
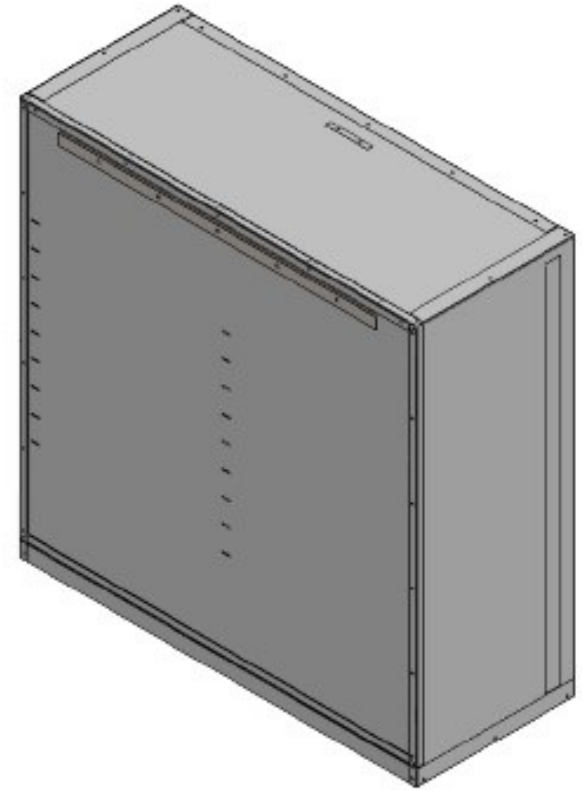


THE HANGING APPARATUS IS DESIGNED ACCORDING TO THE RIVETS USED IN CABINET ASSEMBLY. THEREFORE, THE GAPS GIVEN ON THE EDGES CAN BE SLIDED 81mm RIGHT AND LEFT AFTER THE CABINET IS ASSEMBLED IN PLACE.



T

SLOTS ARE OPENED IN THE PLACES COMING TO THE RIVET POINTS DURING CABINET ASSEMBLY.





GGM Gastro International GmbH
Weinerpark 16
D-48607 Ochtrup

www.ggmgastro.com info@ggmgastro.com
+49 2553 7220 0