

# MINI STOVE TOP ELECTRIC INDUCTION HOOKS

## CONTENTS

---

<b>A</b>	<b>GENERAL INFORMATION .....</b>	<b>Page 2</b>
A1	DESCRIPTION .....	Page 3
A2	TECHNICAL INFORMATION .....	Page 3
A3	TRANSPORTATION .....	Page 3
A4	PACKAGE .....	Page 4
<b>B</b>	<b>INSTALLATION .....</b>	<b>Page 4</b>
<b>C</b>	<b>GENERAL WARNINGS .....</b>	<b>Page 5</b>
<b>D</b>	<b>USING THE DEVICE .....</b>	<b>Page 6</b>
<b>E</b>	<b>CLEANING and MAINTENANCE .....</b>	<b>Page 7</b>
<b>F</b>	<b>TROUBLESHOOTING .....</b>	<b>Page 8</b>
<b>G</b>	<b>SPARE PARTS LIST - DISASSEMBLED VIEW .....</b>	<b>Page 9</b>
<b>H</b>	<b>ELECTRICAL CIRCUIT DIAGRAM .....</b>	<b>Page 15</b>

# MINI STOVE TOP ELECTRIC INDUCTION HOOKS

## A GENERAL INFORMATION

---

PLEASE READ THE OPERATING AND MAINTENANCE INSTRUCTIONS CAREFULLY BEFORE INSTALLING THIS DEVICE. IMPROPER INSTALLATION AND REPLACEMENT OF PARTS MAY DAMAGE THE PRODUCT OR CAUSE INJURY TO PERSONS. OUR COMPANY IS NOT RESPONSIBLE FOR INTENTIONAL DAMAGE TO THE DEVICE, DAMAGES CAUSED BY NEGLIGENCE, FAILURE TO COMPLY WITH THE INSTRUCTIONS AND REGULATIONS, OR INCORRECT CONNECTIONS. UNAUTHORIZED INTERFERENCE WITH THE DEVICE WILL VOID THE PRODUCT WARRANTY.

1. Keep this booklet handy in a safe place for future reference to other operators.
2. **The installation of the device must be carried out by authorized personnel in accordance with the current regulations and instructions in the country where it will be used.**
3. This device must be used by trained persons.
4. In case of device malfunction, turn off the device. Only a service center authorized by the manufacturer should service the device. Ask for original spare parts.

# MINI STOVE TOP ELECTRIC INDUCTION HOOKS

## A1 DESCRIPTION

---

\*This high-efficiency device is a professional electric induction stove produced for use in industrial kitchens.

Code	Dimensions (mm)	Weight (kg)	Packaging Dimensions (mm)
IDE1	405x455x165	8.2	500X560X300
IDE2	790x455x165	16.5	810X500X185

## A2 TECHNICAL INFORMATION

---

Code	Model	Electrical Input	Cable cross section (mm <sup>2</sup> )	Strength ( Kw )
IDE1	1 induction electric stove	220V 1N PE	3x2.5	3
IDE2	2 induction electric hobs	220V 1N PE	3x2.5	6

## A3 TRANSPORT

---

This device cannot be handheld. Therefore, use a lifting vehicle (forklift or pallet truck) to transport the device. (The lifting arms of the forklift or pallet truck must reach more than half of the bottom of the device).

### OPENING THE A4 PACKAGE


---

- The device must be opened and its packaging must be destroyed in accordance with the regulations in the country of use. Food contact parts are stainless steel. All plastic parts are marked with the symbol of the material.
- Check that the device's parts are complete and that it has not suffered any damage during transportation.

# MINI STOVE TOP ELECTRIC INDUCTION HOOKS

## B ASSEMBLY

---

- Place the product on a flat and solid ground, take necessary precautions against risks of tipping over.
  - The personnel who will provide installation and service to the device must be experts in their field and have an installation-service license issued by our company.
  - Connection to the electrical power supply must be made by a competent person.
  - Avoid installing the device near other equipment that produces excessive heat and steam. Do not operate in a hot environment over 50°C.
  - \*If the area where the Electric Grills are located is covered with fireproof thermal insulation material, the distance between them should be 5 cm. Otherwise it should be at least 20 cm. The device should be operated under a hood.
  - Always provide a dedicated electrical circuit for the device.
  - Do not use extension cords or multiple sockets.
-  • Make sure that the voltage you connect the device to is the same as the voltage value written on the device label.
- The grounding connection of the device must be made in accordance with the standards and safety rules.
  - \*The grounding of the device must be connected to the grounding line on the closest panel of the electrical installation.
  - \*Device electrical connection, main fuse and residual current fuse must be made according to current regulations and rules.

# MINI STOVE TOP ELECTRIC INDUCTION HOOKS

## C GENERAL WARNINGS



- Do not use the device in facilities without adequate lighting.
- Never touch the moving parts while using the device.



- Do not install the device close to flammable and explosive materials.



- Do not operate the device idle.

- Do not load too much below/over the capacity of the device.

- **If the surface of the stove is cracked, disconnect the device or disconnect the broken part from the stove.**



- Do not use outdoors.

- Do not place kitchen utensils, cutlery, etc. on the stove. Do not place metal objects such as



- Use only containers of the recommended type and size.

- Do not allow cables to hang around or touch hot surfaces.

- Do not clean the device with water.



- Do not intervene in the device without using appropriate protective equipment.

- In case of a fire or flash of flame for any reason in the area where the device is used, immediately turn off the gas valves and electrical switches (if any) and use a fire extinguisher. Never use water to extinguish the flame.



- Damages caused by lack of grounding connection will not be covered by the warranty.



- After each use, turn the device “off,” then unplug it from the outlet.

**NOTE: Do not use an extension cord. If it must be used, use a single cable. Minimum 1.5mm not longer than <sup>2</sup> and 3 meters**



### **Utensils Unsuitable for Cooking**

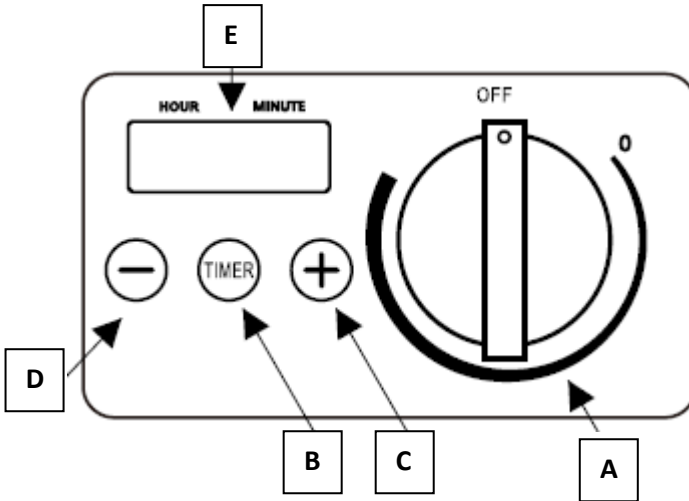
Ceramic, Glass, Copper, Bronze and Aluminum based containers with a diameter of less than 12 cm.

- Ceramic, Copper, Bronze, Glass and Aluminum Pots.
- pottery,
- Footed Pans,
- flat trays,

# MINI STOVE TOP ELECTRIC INDUCTION HOOKS

## D USING THE DEVICE

### \*Control Panel:



- A:** Power Regulator Rotary knob.
- B:** Timing Mode
- C:** "+" increase
- D:** "-" reduction
- E:** LED display screen

### \*Use of:

- Turn the knob to the desired Cook setting (power level 1-10) and the stove will operate.
- Turn the control knob to the left to reduce the power of the stove, and to the right to increase it.
- Touch the timing function control to the desired cooking setting.
- "+", "-" keys to increase or decrease the settings .
- To turn off the hob, turn the control knob to 0 until you hear a "click" sound. You will see the LED display go out.

### in Timer Mode :

- Turn on the stove by turning the control knob to the right.
- Put the ingredients you will cook on the stove.
- Press the timing mode button (0-24 hours )
- "-" to adjust in 1-minute increments (0-60 minutes) , long press "+,-" to adjust in 5-minute increments.
- "-" keys to set the hour in 1-hour increments (0-24) .
- Press the timing button for the third time, the timer will turn off.
- To turn off the stove, turn the control knob to "OFF" position.

# MINI STOVE TOP ELECTRIC INDUCTION HOOKS

## **E      CLEANING and MAINTENANCE**

---

### ➤ **What to Do After Each Use:**

- While cleaning the device, make sure that the plug is not plugged in or the switch is off.
- Clean the outer surface of the device with a damp cloth or a little dishwashing detergent.
- Do not use acid or similar materials when cleaning the device.
- While cleaning the device, do not wash the device with water. Otherwise, water will leak into the electrical installation and cause it to burn.

### ➤ **Things to Do Periodically:**

- Maintenance should only be performed by trained people.
- Perform periodic maintenance of the device every 15 days.
- Check the electrical connections of the heating windows on the cooker at regular intervals .
- Depending on the frequency of use, contactor maintenance of the device should be carried out by spraying dry air after the electrical connection is disconnected.

# MINI STOVE TOP ELECTRIC INDUCTION HOOKS

## F TROUBLESHOOTING

<b>THE DEVICE DOES NOT WORK</b>	<ol style="list-style-type: none"> <li>1. Check whether the device is plugged into the socket.</li> <li>2. Check the electrical connections.</li> </ol>
<b>IT DOES NOT COOK WELL</b>	<ol style="list-style-type: none"> <li>1. Check whether the device is operated at the correct temperature setting for food heating/cooking.</li> </ol>
<b>DEVICE STOPPED</b>	<ol style="list-style-type: none"> <li>1. The device may stop due to low voltage. In this case, check the voltage.</li> <li>2. The device may stop when it gets too hot. Please comply with the general warnings section.</li> </ol>

<b>MISTAKE</b>	<b>ERROR CODE</b>	<b>ERROR ANALYSIS</b>
<b>CIRCUIT FAULT</b>	<b>E0</b>	Check whether the components and circuit board are damaged.
<b>EMPTY CONTAINER PROTECTION</b>	<b>E1</b>	a container suitable for induction ?
<b>LOW VOLTAGE PROTECTION</b>	<b>E2</b>	Check if the voltage is low.
<b>HIGH VOLTAGE PROTECTION</b>	<b>E3</b>	Check if the voltage is high.
<b>TEMPERATURE SENSOR IS NOT WORKING</b>	<b>E4</b>	Check if the temperature sensor cable is broken or disconnected.
<b>OVERHEATING</b>	<b>E9</b>	The internal fan of the circuit board is broken or the air intake is blocked.
<b>CANNOT CONNECT THE MOTHERBOARD TO THE CONTROL PANEL</b>	<b>E.C.</b>	Check the cable connection between the motherboard and the display control board.

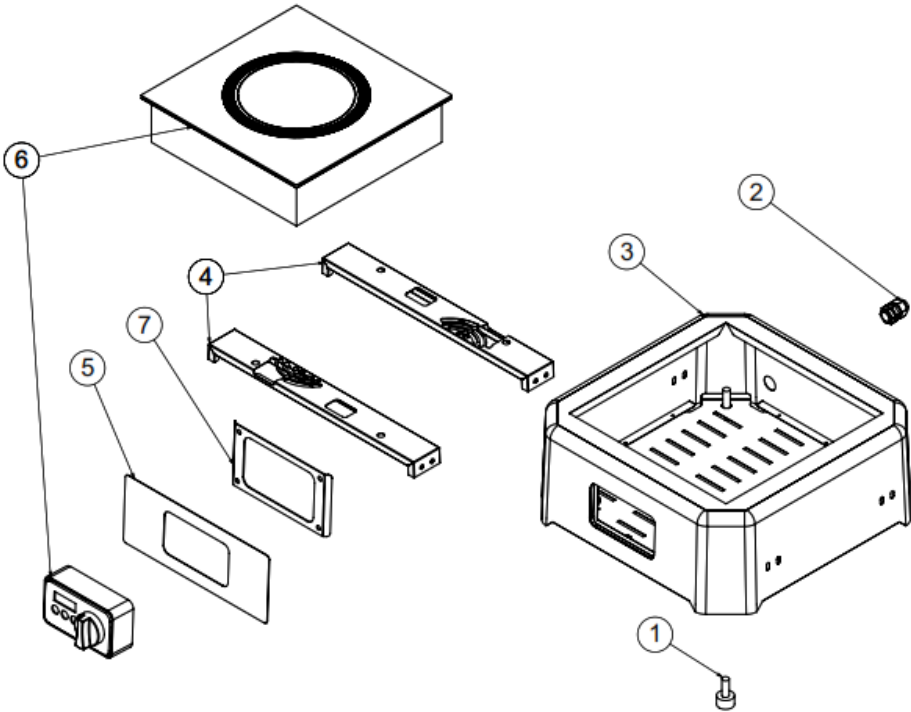
- If food heating/cooking is not done in suitable quality on electric stoves,
- If any of the security functions are not working,
  - Do not use the device.

**\*If the above problems still persist, contact our authorized services.**

**WARNING: If the surface of the device is cracked, immediately disconnect the device or disconnect the broken part from the electrical connection.**

# MINI STOVE TOP ELECTRIC INDUCTION HOOKS

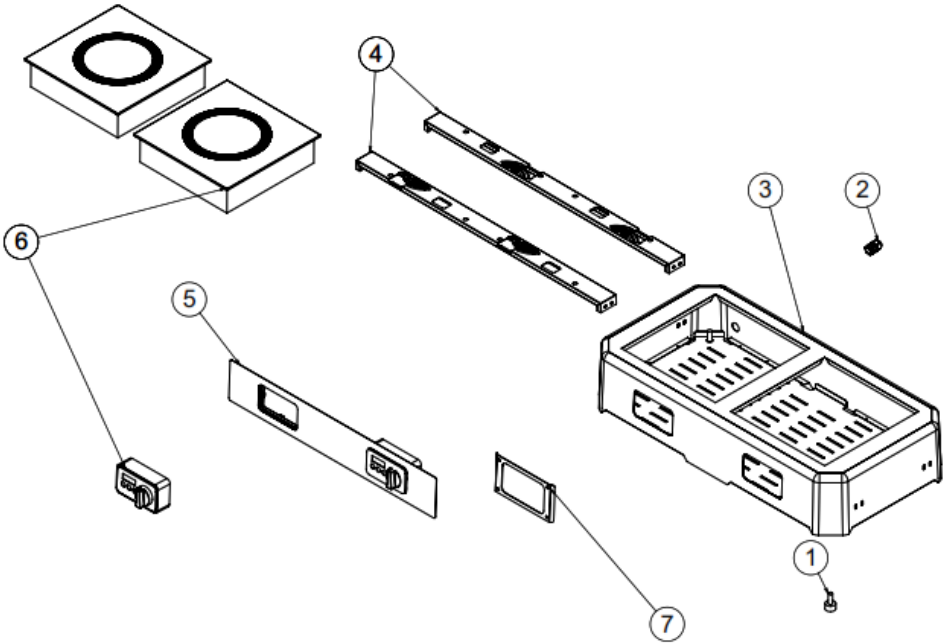
## G SPARE PARTS LIST - DISASSEMBLED VIEW



PRODUCT CODE: IDE1		
NO	NAME OF THE PRODUCT	U.CODE
1	FOOT	JP.M.AKS-AYK-PLS-002
2	CABLE GLAND	JP.M.ELK-RKR-PLS-001
3	CHASSIS	-
4	SUPPORT SHEET	YSC-MS.IND-LZ-0004
5	TICKET	M.AKS-ETK-LKS-111
6	INDICATION OVEN	M.MUH-058
7	INDICATION SCREEN SUPPORT SC	YSC-MS.IND-LZ-0002

# MINI STOVE TOP ELECTRIC INDUCTION HOOKS

## G SPARE PARTS LIST - DISASSEMBLED VIEW



PRODUCT CODE: IDE2

NO	NAME OF THE PRODUCT	U.CODE
1	FOOT	JP.M.AKS-AYK-PLS-002
2	CABLE GLAND	JP.M.ELK-RKR-PLS-001
3	CHASSIS	-
4	SUPPORT SHEET	YSC-MS.IND-LZ-0004
5	TICKET	M.AKS-ETK-LKS-112
6	Induction Furnace	M.MUH-058
7	SCREEN SUPPORT SHEET	YSC-MS.IND-LZ-0002



GGM Gastro International GmbH  
Weinerpark 16  
D-48607 Ochtrup

[www.ggmgastro.com](http://www.ggmgastro.com)

[info@ggmgastro.com](mailto:info@ggmgastro.com)

+49 2553 7220 0