



Countertop convection ovens



Model: DBFP21

Please read these instructions and keep them. For indoor use only.

Index

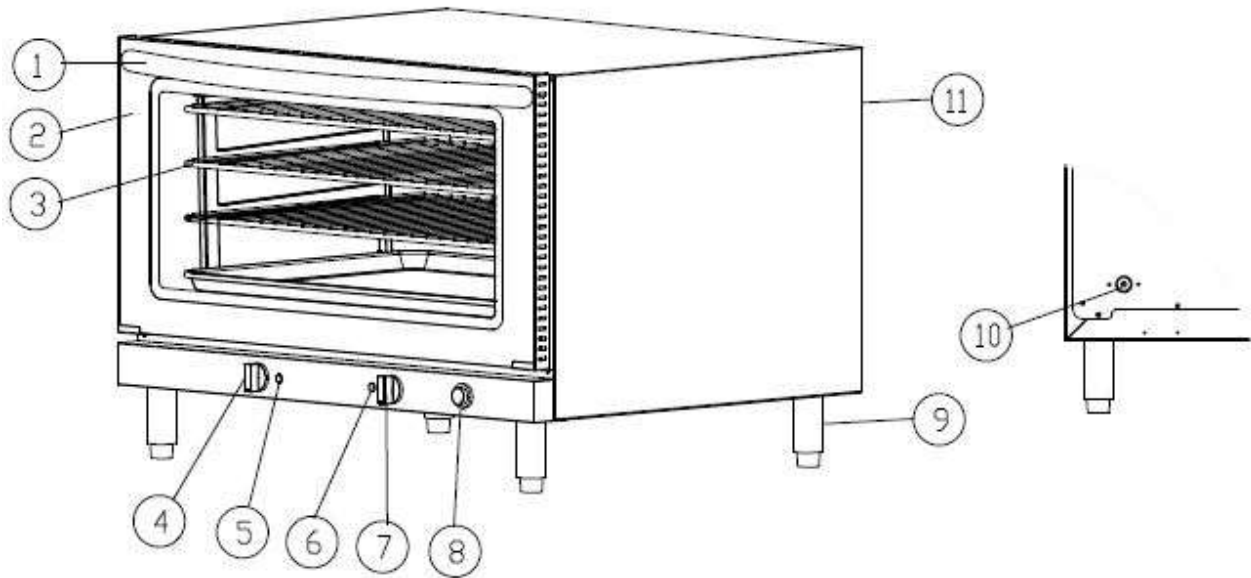
Important safety information	3
Identification of the most important	4
Parts	4
Labeling of accessories	5
Installing your oven	5
Before using your oven	5
Using the oven	6
Typical operating procedure	6
Timer	6
Temperature control knob	7
Power and heating indicator light	7
Protective component	7
Cleaning and maintaining your oven	7
Specifications	8
Limited Warranty	8
Troubleshooting	9
Parts list	

IMPORTANT SAFETY INFORMATION

Basic safety precautions should always be taken when using electrical appliances, including the following:

1. Read all instructions carefully and completely.
 2. For professional use only.
 - 3 Do not touch hot surfaces.
 4. protect yourself from electric shock by keeping all cords, plugs and other electrical components away from water or other liquids.
 5. Unplug the appliance when not in use and before cleaning.
 6. Allow the appliance to cool down before attaching or removing parts.
 7. Do not operate this or any other appliance with a damaged power cord or plug.
 8. Do not operate the appliance if it is malfunctioning or has been damaged in any way.
 - 9 Do not use the appliance outdoors.
 10. Do not place on or near a hot gas or electric burner.
 11. First attach the plug to the appliance and then plug the mains cable into the socket.
 12. Switch off the appliance by setting the temperature and timer switch to "OFF" and then unplug the mains plug from the socket.
 - 13 Do not use the appliance for purposes other than those for which it is intended.
 14. Do not place metal utensils or oversized food in the appliance as they may cause a fire and increase the risk of electric shock.
 - 15 Do not place any objects on the appliance when it is in operation.
 16. Make sure that the appliance does not come into contact with flammable materials such as curtains, drapes, walls, etc. when it is in operation.
 - 17 Do not clean the appliance with metal scouring pads, as parts may break off and touch electrical components, increasing the risk of electric shock.
 - 18 Never place materials such as paper, cardboard, plastic, etc. in this oven.
 19. Do not cover the inside of the appliance with metal foil as this may cause the oven to overheat.
 20. Avoid scratching the surface of the tempered safety glass door or cutting into the edges. If the oven door is scratched or nicked, contact customer service before use.
 - 21 Turn off the appliance by setting the temperature and timer switch to the "OFF" position.
 22. Note that the use of accessories not recommended by the manufacturer may result in injury.
 23. Children should be supervised to ensure that they do not play with the oven.
 24. This appliance is not intended for use by persons (including children) with reduced physical, sensory or mental capabilities, or lack of experience and knowledge, unless they have been given supervision or instruction concerning use of the appliance by a person responsible for their safety.
 25. When using the appliance in stores, snack bars, hotels, etc., check the voltage and the socket to ensure that the appliance is correctly connected to the power supply
 26. Place the appliance on a level surface that is well ventilated. The appliance must be supervised during operation, DO NOT leave the appliance without switching it off.
- NOTE: Keep these instructions for future reference.

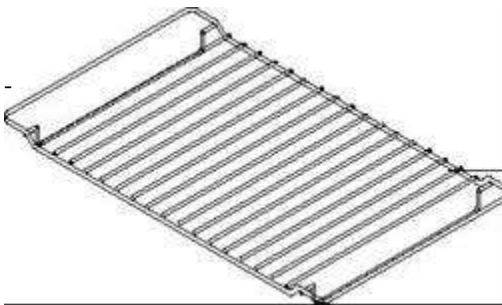
Identification of the most important parts



1, handle 2, door assembly 3, shelf 4, timer 5, power light 7,
thermostat 8, humidity button (only for FD-66S/66G/100) connector
(for FD-66S/66G/100) 11, body

6, heater light 9, foot
10, water pipe (only for FD-66S/66G/100)

Identification of accessories



Roasting racks
DBFP21 TRAY1

INSTALLING YOUR OVEN

DBFP21:220-240V/50HZ, 2100W ;

All electrical connections must meet specification and performance standard, installation must be carried out by qualified personnel. All models are countertop models, place the oven on a flat surface and leave enough space (recommended 100mm&4") for ventilation.

BEFORE USING YOUR OVEN

Before you prepare anything in your oven for the first time, please follow these simple tips:

Wash the handle and roasting racks with a little dishwashing liquid and soapy water. (NOTE: Do not use spray or abrasive cleaners.) Gently wipe the interior walls with a damp cloth. When cleaning the device, do not touch the electric heating element. Do not soak the inside of the oven with water.

After washing and thoroughly drying the above surfaces, place the roasting racks back in the oven. Close the oven door and preheat the oven to the highest temperature setting for 5 minutes.

Turn off the heating elements and open the oven door to remove any smoke residue from inside the oven. The heating elements are well lubricated and this first use will help burn off the extra grease. A slight amount of smoke is normal during this process.

Using the oven

To start using the oven, you must turn on the temperature control to set the desired cooking temperature and the timer rotary switch to set the cooking time.

ATTENTION: During the baking process, make sure that no metal accessories come into contact with the electric heating elements.

CAUTION: Food baked in this oven is hot. Wear hand protection when reaching into the oven to remove food.

Typical operating procedure

ACTION	RESULT
Plug in your oven	The power is connected, but the power light turns on after turning the temperature control knob
Adjust temperature control knob	The heating indicator lights up; the heating elements begin to heat up
Temperature light turns off	Oven has reached the desired temperature
Put the product in the oven	The product begins to boil
Set the timer to the desired cooking time between 0-120 minutes.	Timer begins downward movement
Timer reaches zero	Timer rings
Oven unloaded	The product is cooked/hot; carefully remove it from the oven.

Timer

The timer on this device has a range of 0-120 minutes. When you set the timer to the "0" position, the baking time is finished and the timer gives an acoustic signal.

If you need to reset the baking time while the oven is in use, simply turn the timer to a new position. The oven will reset the time according to the new requirement without having to turn it off.

When the set baking time is reached, a signal sounds and the heating elements switch off automatically.

Temperature control button

The temperature range of this device is 0-250 degrees Celsius for the models. This thermostatic switch controls the temperature

inside the oven and helps maintain the correct temperature during various heating, roasting and baking applications.

Power and temperature control light

Whenever the device is connected to the mains and the temperature controller is turned on, the power and heating indicator lights up and the fan motor starts working.

Protective component

If the temperature of this oven reaches an unsafe limit, the electrical components will shut down and operation will stop to prevent overheating.

Oven cleaning and maintenance

To clean, first unplug the power cord from the power outlet. Wait until the oven has cooled down. Use a damp cloth or sponge to gently wipe the inside of the oven. Avoid soaking the inside of the oven or washing it under running water as this may cause serious damage to the appliance.

Troubleshooting

Problem: The oven does not get hot after switching on.

- Make sure the timer switch is set.
- Make sure the temperature controller is set correctly.

Problem: A metallic noise can be heard while the oven is operating.

- Do not attempt to dismantle the oven.
- Contact your customer service immediately to check the blower.

Problem: Food is often overcooked or burnt, even when cooked according to the recipe.

- Check whether the blower motor is working normally.
- Contact your customer service representative to check the temperature controller.



GGM Gastro International GmbH
Weinerpark 16
D-48607 Ochtrup

www.ggmgaastro.com info@ggmgaastro.com
+49 2553 7220 0