

# Glass Polishing Machine



**Models: GPF5**

***Please read and keep these instructions. Indoor use only.  
Save this booklet for future reference.***

# INDEX

Important Safety Information .....	3
Identification of Key Parts.....	4
Circuit Diagram.....	4
Specifications.....	4
Before Using Your Glass Polisher.....	5
Assembly Instructions of Air Blower .....	5
Assembly Instructions of Brushes.....	5
Operating Instructions.....	6
Protection Component.....	6
Cleaning & Maintaining Your Glass Polisher .....	7
Troubleshooting.....	7

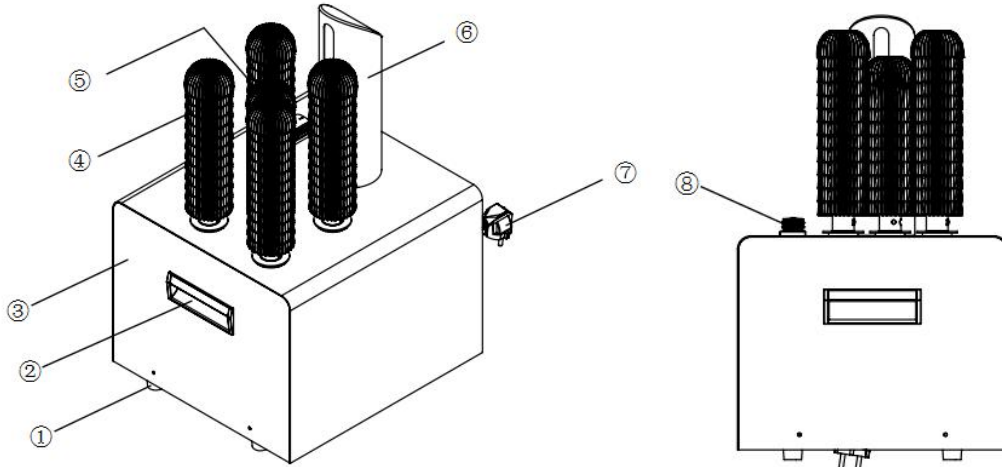
# IMPORTANT SAFETY INFORMATION

When using electrical appliances, basic safety precautions should always be followed, including the following:

1. READ ALL INFORMATION BEFORE USE.
2. For commercial only.
3. Do not touch hot surfaces.
4. Protect against electrical shock by keeping all cords, plugs, and other electrical components away from water or other liquids.
5. Unplug this unit when not in use and before cleaning.
6. Allow the unit to cool before putting on or taking off parts.
7. Do not operate this or any appliance with a damaged electrical cord or plug.
8. Do not operate this or any appliance after it has malfunctioned or been damaged in any way.
9. Do not use outdoors.
10. Do not place on or near a hot gas or electric burner.
11. Disconnect the unit by turning the temperature and timer control to "OFF", then removing the electrical plug from the wall outlet.
12. Do not use appliance for any application other than design use.
13. Do not allow this glass polisher to touch or be covered by flammable material, such as curtains, draperies, walls, etc., when in operation.
14. Do not clean with metal scouring pads as pieces can break off and touch electrical components, heightening the risk of electrical shock.
15. Do not cover interior of this unit with metal foil as it may cause the oven to overheat.
16. Do not place sharp or sharp corner objects around the product to avoid scratching the surface.
17. Turn the appliance off by turning control knob to the "OFF" position.
18. Note that the use of accessories not recommended by the manufacturer may result in injury.
19. Children must be supervised before using this product.
20. This appliance can be used by children aged from 8 years old and above and persons with reduced physical, sensory or mental capabilities or lack of experience and knowledge if they have been given supervision or instruction concerning use of the appliance in a safe way and understand the hazards involved. Children shall not play with the appliance. Cleaning and user maintenance shall not be made by children without supervision.
21. When using the appliance in shops, snack bars, hotels etc., check the voltage and outlet to make sure the appliance is correctly connected with power.
22. Place unit on a flat surface that is well ventilated.

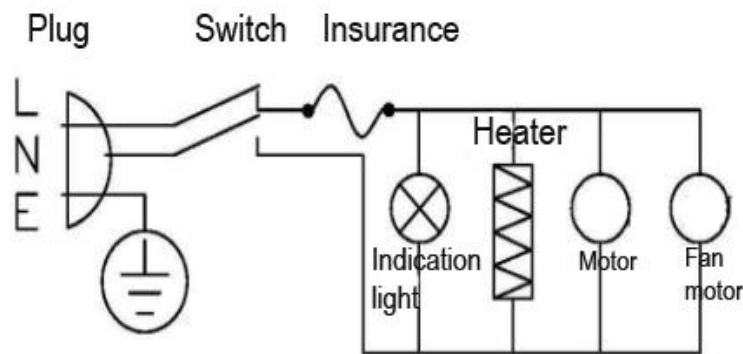
# IDENTIFICATION OF KEY PARTS

## GPF5



1. Foot    2. Handle    3. Main body    4. Long brush    5. Short brush  
 6. Air blower    7. Power cord    8. ON/OFF button

# CIRCUIT DIAGRAM



# SPECIFICATIONS

Model	Voltage / Frequency	Product size (MM)	Product weight (Kg)	Product power (W)	Brush (Pcs)
GPF5	220-240V/ 50Hz	330*300*510	15.3	1200-1500	5

# BEFORE USING YOUR GLASS POLISHER

Before using your glass polisher, please follow these simple instructions. Failing to do so may cause injury to the user and damage the machine:

1. Install the machine on a flat surface of a sink and make sure the machine is upright and stable.
2. Attach air blower onto the base with screw provided, make sure the outlet is centered.
3. Assemble the brushes and check that they are securely in place. The brush is made of microfiber, during the working process, the hot air coming out from air blower to keep brushes dry for maintain a good polisher effect, wet brushes do not dry and polish the cup. Always keep the brush as dry is essential. At busy time, if the brush cannot be dried in time, please stop working for 20 minutes and let the machine working so that the brush can be dried in hot air

**WARNING :** Plug the unit into grounded outlets only that match the unit's voltage and frequency listed on the motor!

**WARNING :** Check the electric cord and plug to make sure it is clean and dry before using!

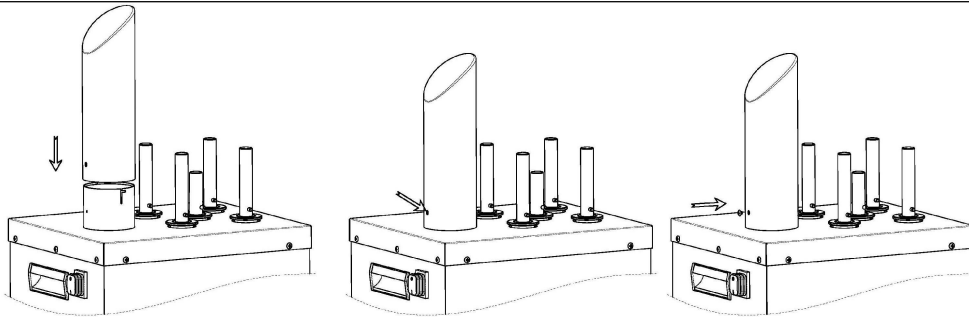
**WARNING :** The SWITCH must NOT contact the water, keep it dry!

**CAUTION :** Check and make sure the brushes are securely in place before turning on the machine!

**CAUTION :** DO NOT use the machine for any other purpose than its intended design!

## ASSEMBLY INSTRUCTIONS OF AIR BLOWER

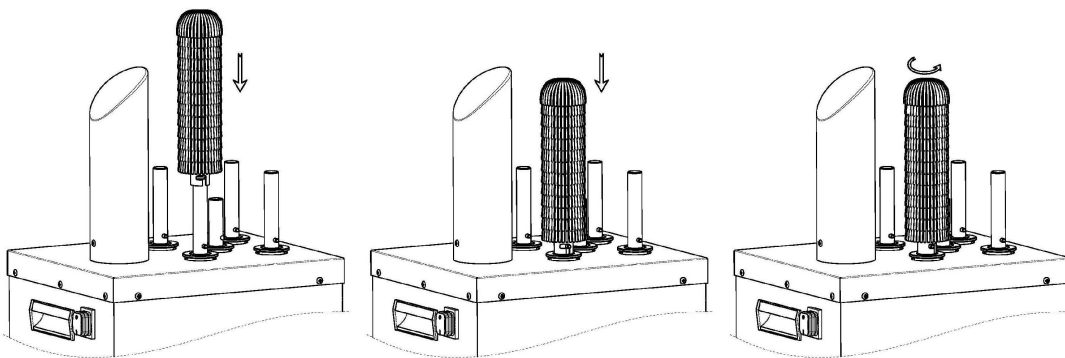
### GPF5



Assemble air blower onto the hot-air pipe base, adjust proper direction by rotation, align the oval hole on the air blower with the screw hole on the hot-air pipe, then tighten the screws.

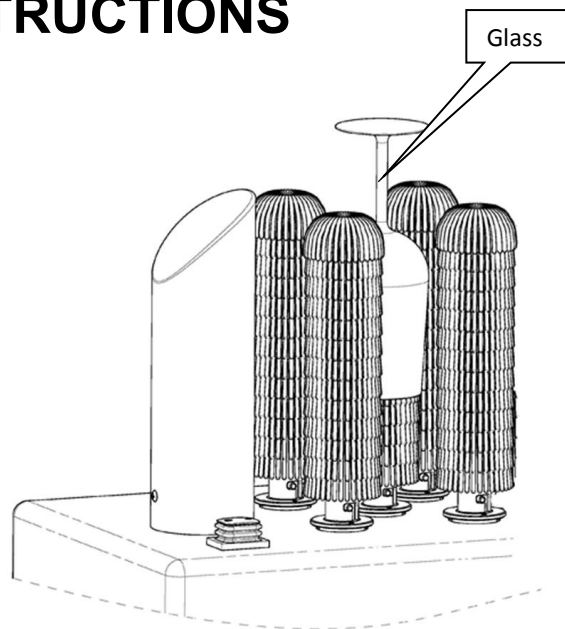
## ASSEMBLY INSTRUCTIONS OF BRUSHES

### GPF5



Assemble brushes handle onto drive shaft base, rotate it anti-clockwise to make the notch on the brush handle lock into the transverse pin of drive shaft. (Tips : Short brush should be inserted onto center post )

# OPERATING INSTRUCTIONS



Action	Result
Plug in your glass polisher	Power is connected, but unit will only start after the machine is switched on
Switch on	Unit starts to work, brushes start to spin
Put glass to cover the brush	The glass in dry and polishing
Switch off	Unit stops working
Unplug the unit	No power is connected

Switch on machine, grasp glass at the base and insert onto center brush, dry and polishing glass 12-13 seconds. Holding the glass with slight-left or right spin to get better effect!

## PROTECTION COMPONENT

This glass polisher is a commercial machine, can meet the high frequency of commercial use. To protect key electronic components inside, turn off the machine when not working. In extreme cases (product overheating), the motor will shut off automatically to prevent overheating to endanger the core components of the motor, after the motor cooling (15-20 minutes) to restart work normally.

# CLEANING & MAINTAINING YOUR GLASS POLISHER

To clean, ensure glass polisher is OFF and unplug cord from the outlet. Wait for the glass polisher to cool down. Clean external surface of glass polisher daily using a damp cloth or sponge. Do not immerse the whole unit into water or washing it in running water as this will cause serious damage to the unit.

When closing for the day, operate the machine for 20 minutes to dry the brushes as will ensure the use efficiency in next working cycle.

Microfiber brush with strong abrasion resistance and can be used for a long time (more than half year). As the wear and aging will affect the polishing effect, please notice the brush and replace it in time.

## TROUBLESHOOTING

**Problem: The glass polisher does not work after being switched on.**

- Make sure glass polisher is plugged in correctly.
- Be sure it is switched on.
- Check with service center.

**Problem: There is a very loud noise when the glass polisher is in use.**

- Do not attempt to dismantle the glass polisher.
- Check the brush is securely in place.
- Contact service agent right away to examine the motor and inside gears.

**Problem: The brush spin cycle is slow and the glasses are not polished properly.**

- Check to see if something is jammed inside the brushes.
- Contact service agent right away to examine the motor and inside gears.

**Problem: The brush loose or fracture**

- Check the brush is securely in place and holder is in correct position.
- Replace the old brushes regularly.



GGM Gastro International GmbH  
Weinerpark 16  
D-48607 Ochtrup

[www.ggmgaastro.com](http://www.ggmgaastro.com)      [info@ggmgaastro.com](mailto:info@ggmgaastro.com)  
+49 2553 7220 0