

# TERMOBOX

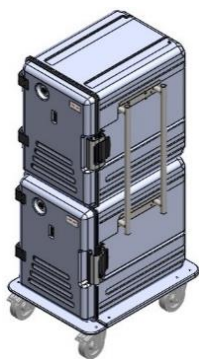
## INSTRUCTIONS MANUAL TERMOBOX MODEL



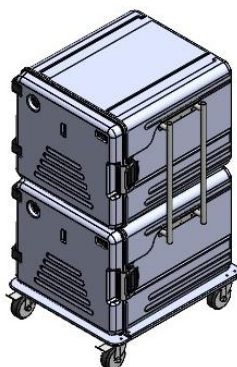
**TBBE83**



**TBE180  
TBBE180**



**TBBE283**



**TBE2180  
TBBE2180**

## CONTENTS

<b>A</b>	<b>GENERAL INFORMATION</b>	<b>Page</b>	<b>2</b>
A1	DESCRIBING	Page	4
A3	TRANSPORT	Page	7
A4	UNPACKING	Page	7
<b>E</b>	<b>CLEANING and MAINTENANCE</b>	<b>Page</b>	<b>7</b>
<b>G</b>	<b>SPARE PARTS LIST - DISASSEMBLED VIEW</b>	<b>Page</b>	<b>12</b>

# TERMOBOX

## A. GENERAL INFORMATIONS

**READ THE OPERATING AND MAINTENANCE INSTRUCTIONS BEFORE INSTALLING THIS APPLIANCE.**

**READ CAREFULLY. INCORRECT ASSEMBLY AND REPLACEMENT OF PARTS DAMAGE TO THE PRODUCT**

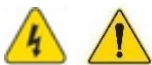
**IT CAN CAUSE OR INJURY PEOPLE. OUR COMPANY IS NOT RESPONSIBLE FOR INDIVIDUAL DAMAGE TO THE DEVICE, NEGLIGENCE, DAMAGES OR WRONG CONNECTIONS DUE TO FOLLOWING INSTRUCTIONS AND REGULATIONS. UNAUTHORIZED INTERFERENCE WITH THE DEVICE WILL VOID THE PRODUCT WARRANTY.**

1. Keep this booklet in a safe place at hand for future reference to other operators.
2. The device must be installed by authorized personnel in accordance with the current regulations and instructions in the country where it will be used.
3. This device should be used by trained persons.
4. In case of device failure, turn it off. Only the authorized service center should be contacted. Original spare parts should be used.

### **WARNING:**

- This device in effect to legislation suitable should be established and Only Good ventilated One in the field should be used. Loading And this device without using before to your instructions Look.
- incorrect assembly, adjustment, changing, service or care material damage, injury or can cause death . Installation, use and maintenance before installing or servicing this equipment read the instructions

### **SECURITY SYMBOLS**



these symbols are intended to alert the user to the presence of important operating and maintenance instructions in the manual accompanying the appliance \_



**WARNING :** Device trained employee by should be used.

## A1 IDENTIFICATION

Modele	Capacity	Length (A) Cm / inch	Depth (B) Cm/ inch	Height (C) Cm/ inch	Approximate Weight	
					Unpacked Kg/Lb	packaged Kg/Lb
<b>TBBE83</b>	Heating TOTAL 63 lt.	430 mm 16.9"	656 mm 25.8"	654 mm 25,7"	20 kg 44 lb	22 kg 48.50 lb
<b>TBBE283</b>	Heating TOTAL 126 lt.	550 mm 21.65"	636 mm 25.04"	1403 mm 55.2"	57.500 kg 126.76 lb	59.500 kg 131.17 lb
<b>TBE180</b>	Heating TOTAL 127,5 lt.	730 mm 28,7"	855 mm 33.6"	778 mm 30,6"	32.500 kg 71.65 lb	35 kg 77.16 lb
<b>TBBE180</b>	Heating TOTAL 127,5 lt.	730 mm 28,7"	855 mm 33.6"	778 mm 30,6"	32.500 kg 71.65 lb	35 kg 77.16 lb
<b>TBE2180</b>	Heating TOTAL 255 lt.	730 mm 28.74"	855 mm 33.6"	1387 mm 54.62"	58.800 kg 129.63 lb	62.400 kg 137.5 lb
<b>TBBE2180</b>	Heating TOTAL 255 lt.	730 mm 28.74"	855 mm 33.6"	1387 mm 54.62"	58.800 kg 129.63 lb	62.400 kg 137.5 lb

Model	Voltage	KW Total	Amps (Maximum)
<b>TBBE83</b>	220 V	265 W	1.2 A
<b>TBBE283</b>	220 V	2*265 W	2.4 A
<b>TBE180</b>	220 V	500 W	2.3 A
<b>TBBE180</b>	220 V	500 W	2.3 A
<b>TBE2180</b>	220 V	2*500 W	4.6 A
<b>TBBE2180</b>	220 V	2*500 W	4.6 A

# TERMOBOX

## A3 TRANSPORT

---

\*This device is handheld. Do not hit or drop the device while carrying it.

## A4 UNPACKING

---

\*The device must be opened and its packaging must be destroyed in accordance with the regulations in the country of use. All plastic parts are marked with the symbol of the material.

\*Check that the parts of the device are complete and that there is no damage during transportation.

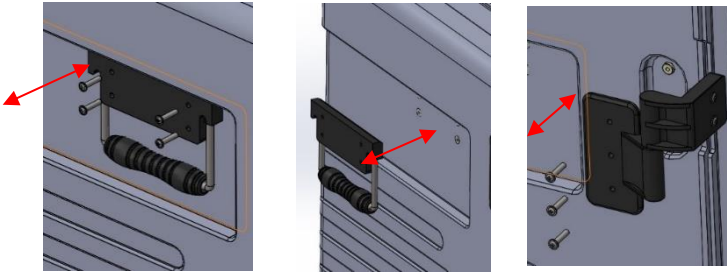
## E CLEANING and MAINTENANCE

---

**What to Do After Each Use:**

- Clean the outer surface of the device with a damp cloth.
- Do not use acid or similar materials when cleaning the device.

The screws on the hinges and handles can be removed with the help of a screwdriver and the surfaces where the hinge and handle sit can be cleaned with a damp cloth. After the cleaning process is finished, the hinges and handles are screwed back into place.



- Do not use any cleaners containing ammonia or bleach or steel wool/abrasive pads or brushes.

### CLEANING USE

- Plug the appliance into an outlet.
- After warming up for a while, remove the plug.
- Wipe off dissolved oil and residues with a damp cloth.

## **HOT**

Keeps food safely between 150° to 165°F with Convenient, pre-set, gentle, non-radiant heat.

## **Energy-seving Heater**

### **Less Than 5 Amps**

Gentle, non-radiant heat circulates consistertly from front to back of the cabinet.



### **Pre-heat time:**

45 minuters.

### **Recovery time:**

3 minuters after door open for



The products with the following codes can be cleaned with water

by

**REMOVING THE HEATING  
UNITE**

TBBE83

TBBE283

TBE180

TBBE180

TBE2180

TBBE2180

# TERMOBOX

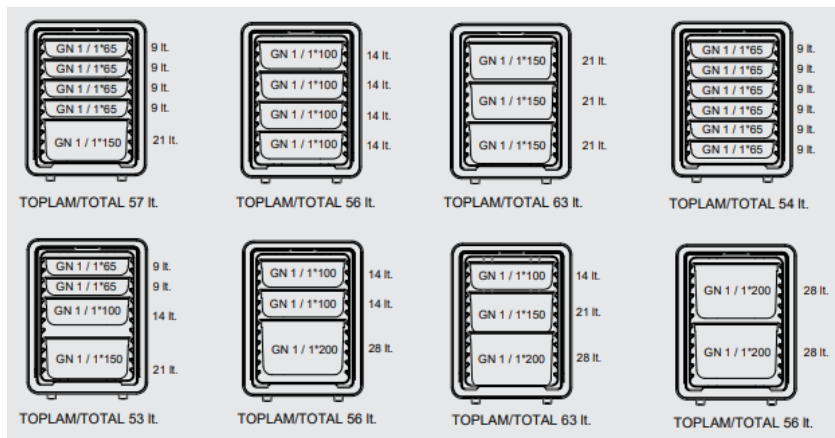


Power Cable

**IMPORTANT:** Read all instructions prior to use and save for future reference.

- Follow all warnings marked on unit.
- Use only type of power supply (voltage, phase, frequency) indicated on the heater unit label.
- Do not use if power cord is frayed or damaged.
- Connect unit to properly grounded power source.
- Use only manufacturer authorized power cord and replacement parts.
- **Warning!** Do not use this equipment in wet or damp conditions.
- **Warning!** Unplug unit prior to cleaning or service.
- **Warning!** Remove power cord from heater prior to cleaning. Clean with damp cloth only.
- **Warning!** Do not submerge heater in water and never spray water on or near it.
- **Warning!** Do not get the thermometer wet in any way.
- **Warning!** Unplug the power cord before removing the heater from the door.
- **Warning!** Only Authorized Service Agent or qualified foodservice equipment technician should open the inner cover of the heater for servicing.

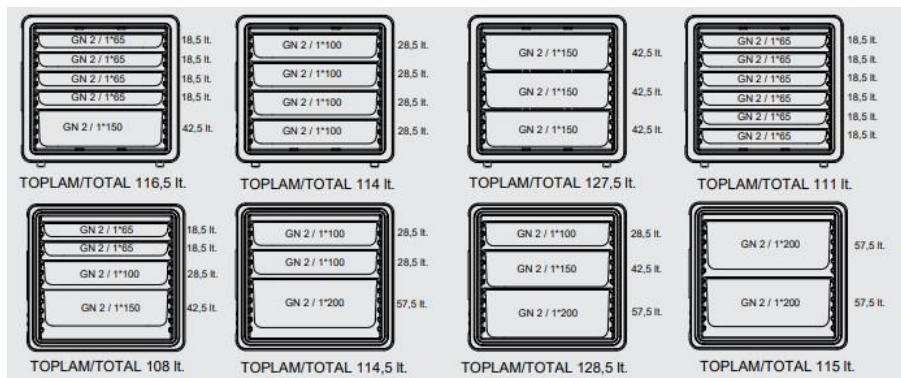
## TBBE83 CAPACITY



TBBE283

\* DOUBLE CAPACITY

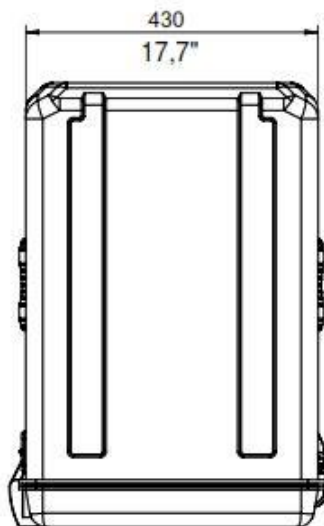
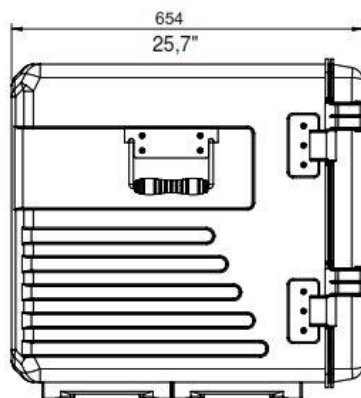
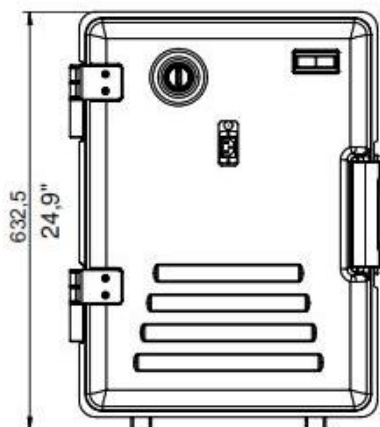
## TBBE180 CAPACITY



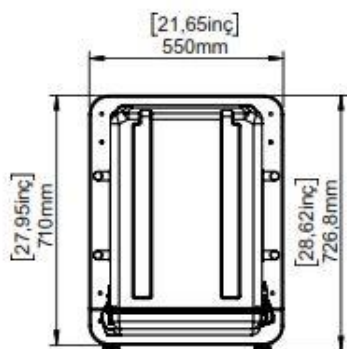
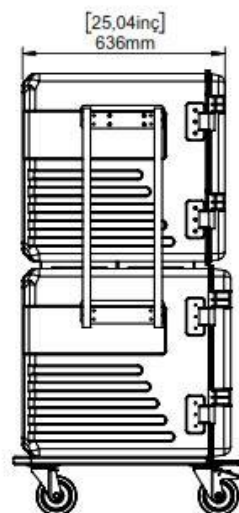
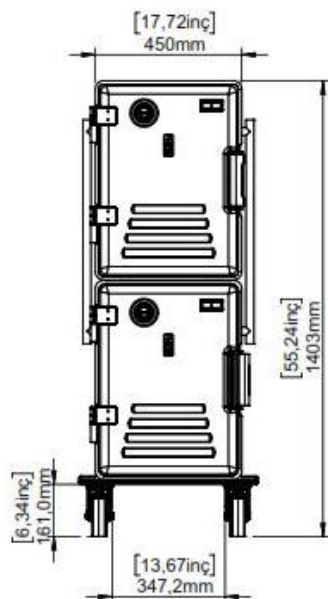
TBE2180 \* DOUBLE CAPACITY

# TERMOBOX

TBBE83



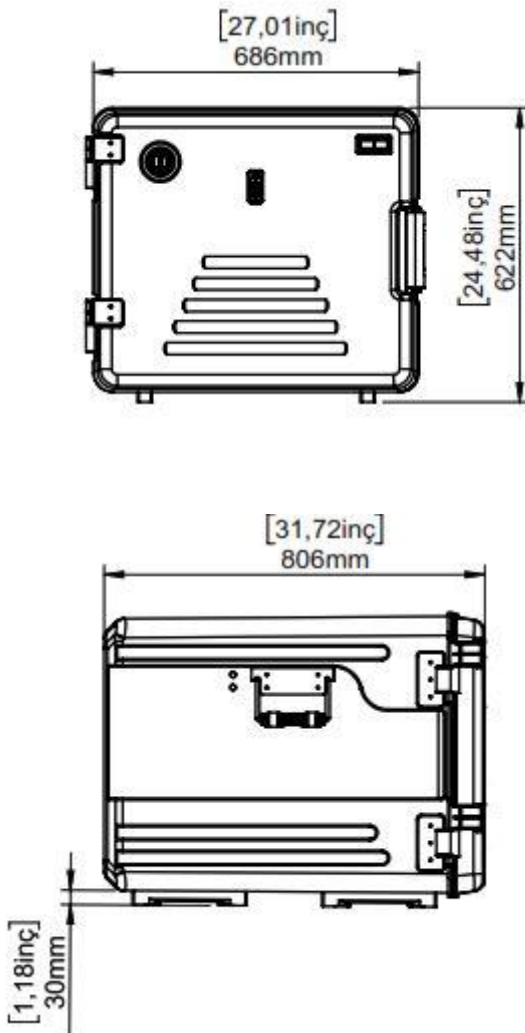
TBBE283



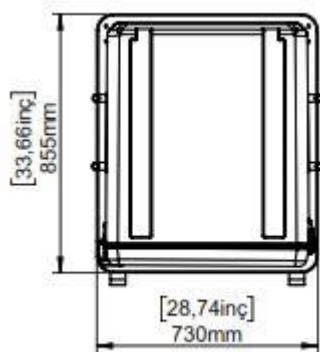
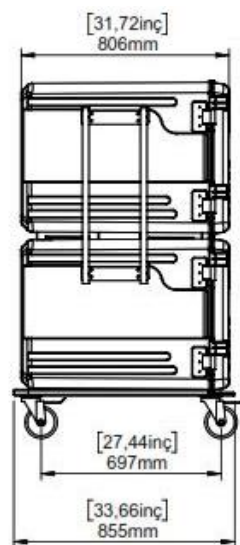
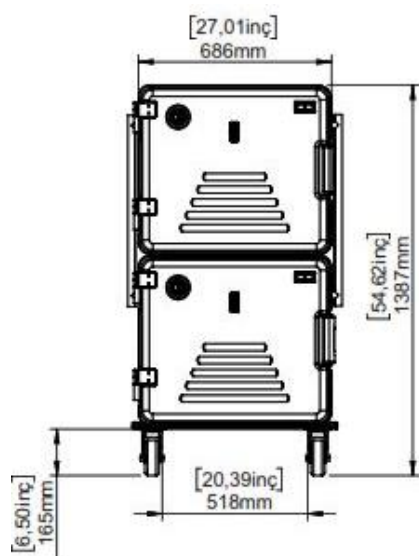
# TERMOBOX

TBE180

TBBE180

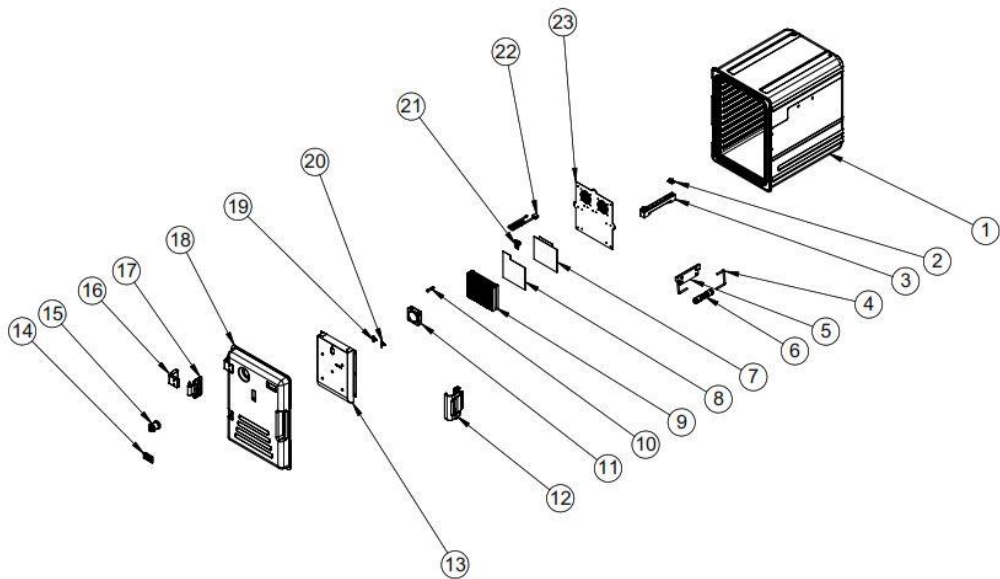


TBE2180  
TBBE2180



# TERMOBOX

## SPARE PARTS LIST - DISASSEMBLED VIEW TBBE83

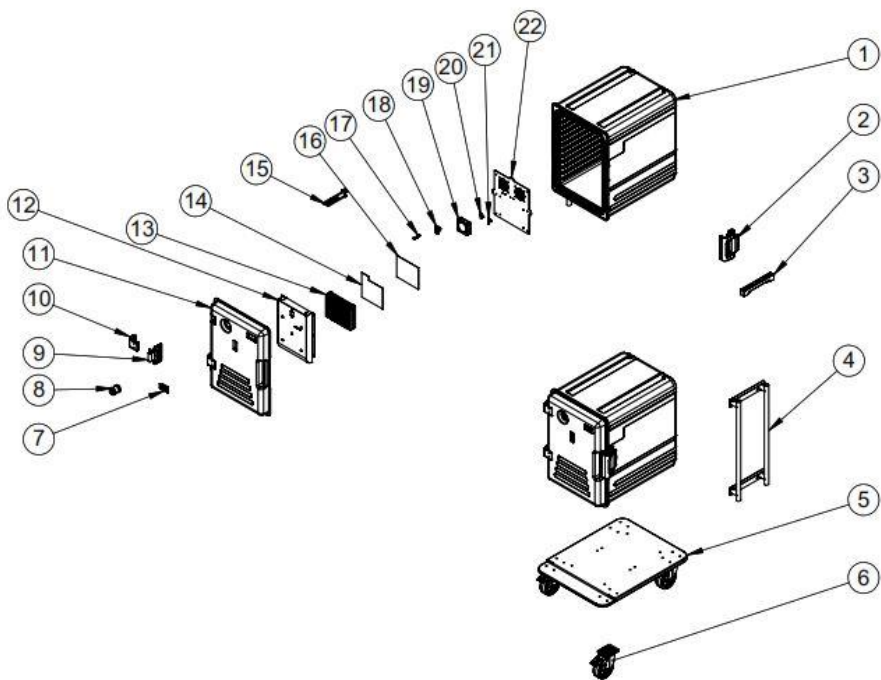


## SPARE PARTS LIST - DISASSEMBLED VIEW

PRODUCT CODE : TBBE83		
NO	NAME OF THE PRODUCT	PRODUCT CODE
1	EMP.BOX-600 HINGED BODY	-
2	EMP.BOX FOOT CONNECTION PLASTIC THICK	M.ENJ-GST-PLS-BOX-002
3	EMP.BOX PLASTIC FOOT	M.ENJ-GST-PLS-BOX-006
4	EMP.BOX HANDLE SHAFT	M.YAY-BOX-001
5	EMP.BOX HANDLE MAIN BODY	M.ENJ-GST-PLS-BOX-008
6	EMP.BOX HANDLE	M.ENJ-GST-PLS-BOX-009
7	TAPE GLASS FIBER	HIZ-LTY-ALM-001
8	SILICONE RESISTOR 110V - 265 W	M.ELK-RZS-POL-002
9	AS264 PR. ALUMINUM PROFILE (RIGGING ELEKTRONİK)200x152x40mm	M.MUH-140
10	RED SIGNAL LIGHT WITH SOCKET	GST.M.ELK-LMB-SNY-002
11	FAN 80*80*25 110 VAC	GST.M.ELK-HVL-FAN-001
12	EMP.BOX DOOR LOCK	M.ENJ-GST-PLS-BOX-001
13	BOX HEATER TOOTH SHEET	YSC-GST.BOX-LZ-0001
14	DIGITAL THERMOMETER	GST.M.ELK-EDM-DGT-001
15	COVER HOLE TYPE	M.ENJ-GST-PLS-BOX-012
16	EMP.BOX HEATED COVER FEMALE HINGE (LONG)	M.ENJ-GST-PLS-BOX-016
17	EMP.BOX HINGE MALE	M.ENJ-GST-PLS-BOX-004
18	EMP.BOX-600 HEATED COVER NEW TYPE	-
19	SAFETY THERMOSTAT	M.ELK-MEK-TRM1-001
20	SINGLE-PHASE THERMOSTAT	M.ELK-MEK-TRM1-002
21	EMP.MBQ.01 POWER SUPPLY SOCKET	M.ELK-PWR-ERK-001
22	POWER CABLE	M.ELK-PWR-PBK-006
23	BOX HEATER BOTTOM SHEET	YSC-GST.BOX-LZ-0003

# TERMOBOX

## SPARE PARTS LIST - DISASSEMBLED VIEW TBBE283

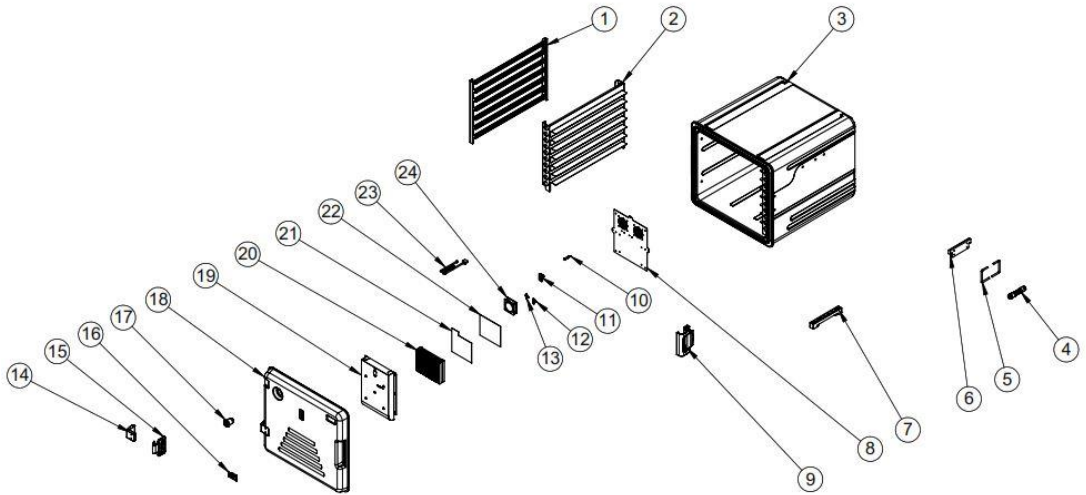


## SPARE PARTS LIST - DISASSEMBLED VIEW

PRODUCT CODE : TBBE283		
NO	NAME OF THE PRODUCT	PRODUCT CODE
1	EMP.BOX-600 BODY	-
2	EMP.BOX DOOR LOCK	M.ENJ-GST-PLS-BOX-001
3	EMP.BOX PLASTIC FOOT	M.ENJ-GST-PLS-BOX-006
4	EMP.BOX-600-600 HANDLE TUBE	YBR-GST.BOX-KS-0003
5	BOX-600-600-I-G BLACK BANQUET BUMPER	-
6	BRAKED WHEEL	M.AKS-AYK-INX-004
7	DIGITAL THERMOMETER	GST.M.ELK-EDM-DGT-001
8	COVER HOLE TYPE	M.ENJ-GST-PLS-BOX-012
9	EMP.BOX HINGE MALE	M.ENJ-GST-PLS-BOX-004
10	EMP.BOX HEATED COVER FEMALE HINGE (LONG)	M.ENJ-GST-PLS-BOX-016
11	EMP.BOX-600 HEATED LID NEW TYPE	-
12	BOX HEATER TOOTH SHEET	YSC-GST.BOX-LZ-0001
13	AS264 PR. ALUMINIUM PROFILE (ARMA ELECTRONIC) 200x152x40mm	M.MUH-140
14	SILICONE RESISTOR 110V - 265W	M.ELK-RZS-POL-002
15	POWER CABLE	M.ELK-PWR-PBK-006
16	TAPE GLASS FIBER	HIZ-LTY-ALM-001
17	RED SIGNAL LIGHT WITH SOCKET	GST.M.ELK-LMB-SNY-002
18	EMP.MBQ.01 POWER SUPPLY SOCKET	M.ELK-PWR-ERK-001
19	FAN 80*80*25 110 VAC	GST.M.ELK-HVL-FAN-001
20	SAFETY THERMOSTAT	M.ELK-MEK-TRM1-001
21	SINGLE-PHASE THERMOSTAT	M.ELK-MEK-TRM1-002
22	BOX HEATER BOTTOM SHEET	YSC-GST.BOX-LZ-0003

# TERMOBOX

## SPARE PARTS LIST - DISASSEMBLED VIEW TBE180



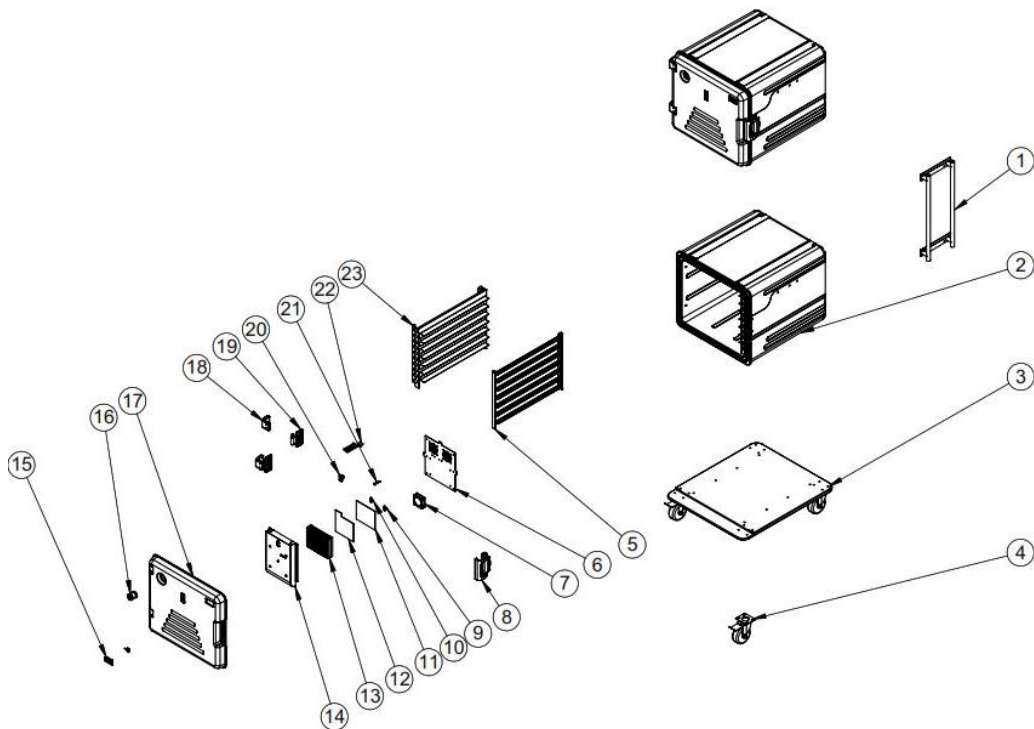
## SPARE PARTS LIST - DISASSEMBLED VIEW

PRODUCT CODE : TBE180		
NO	NAME OF THE PRODUCT	PRODUCT CODE
1	BOX-800-UL 2-1 SHELF SHEET	YSC-BOX-800-LZ-0002
2	BOX-800 RACK SHELVES 60x40 TRAY	YSC-BOX-800-LZ-0003
3	SAMPLE PRODUCT FROM EMP.800-UL MOLD	EMP.BOX-800-UL
4	EMP.BOX HANDLE HANDLE	M.ENJ-GST-PLS-BOX-009
5	EMP.BOX HANDLE SHAFT	M.YAY-BOX-001
6	EMP.BOX HANDLE MAIN BODY	M.ENJ-GST-PLS-BOX-008
7	EMP.BOX PLASTIC FOOT	M.ENJ-GST-PLS-BOX-006
8	BOX HEATER BOTTOM SHEET	YSC-GST.BOX-LZ-0003
9	EMP.BOX DOOR LOCK	M.ENJ-GST-PLS-BOX-001
10	RED SIGNAL LIGHT WITH SOCKET	GST.M.ELK-LMB-SNY-002
11	EMP.MBQ.01 POWER SUPPLY SOCKET	M.ELK-PWR-ERK-001
12	SAFETY THERMOSTAT	M.ELK-MEK-TRM1-001
13	SINGLE-PHASE THERMOSTAT	M.ELK-MEK-TRM1-002
14	EMP.BOX HEATED COVER FEMALE HINGE (LONG)	M.ENJ-GST-PLS-BOX-016
15	EMP.BOX HINGE MALE	M.ENJ-GST-PLS-BOX-004
16	DIGITAL THERMOMETER	GST.M.ELK-EDM-DGT-001
17	COVER HOLE TYPE	M.ENJ-GST-PLS-BOX-012
18	EMP.BOX-800 HEATED LID WITH COMMON HINGE	EMP.BOX-800-UL
19	BOX HEATER TOOTH SHEET	YSC-GST.BOX-LZ-0001
20	AS264 PR. ALUMINIUM PROFILE (ARMA ELECTRONIC) 200x152x40mm	M.MUH-140
21	SILICONE RESISTOR 110V - 500W	M.ELK-RZS-POL-004
22	TAPE GLASS FIBER	HIZ-LTY-ALM-001
23	POWER CABLE	M.ELK-PWR-PBK-006
24	FAN 80*80*25 110 VAC	GST.M.ELK-HVL-FAN-001

# TERMOBOX

## SPARE PARTS LIST - DISASSEMBLED

VIEW TBE2180



## SPARE PARTS LIST - DISASSEMBLED VIEW

PRODUCT CODE : TBE2180		
NO	NAME OF THE PRODUCT	PRODUCT CODE
1	EMP.BOX-800-800 HANDLE TUBE	YBR-GST.BOX-KS-0001
2	SAMPLE TAKEN FROM EMP.800-UL MOLD PRODUCT	EMP.BOX-800-UL
3	BOX-800-800-I-G BLACK BANQUET BUMPER	-
4	BRAKED WHEEL	GST.M.AKS-TKR-PSF-009
5	BOX-800-UL 2-1 SHELF SHEET	YSC-BOX-800-LZ-0002
6	BOX HEATER BOTTOM SHEET	YSC-GST.BOX-LZ-0003
7	FAN 80*80*25 110 VAC	GST.M.ELK-HVL-FAN-001
8	EMP.BOX DOOR LOCK	M.ENJ-GST-PLS-BOX-001
9	SAFETY THERMOSTAT	M.ELK-MEK-TRM1-001
10	SINGLE-PHASE THERMOSTAT	M.ELK-MEK-TRM1-002
11	TAPE GLASS FIBER	HIZ-LTY-ALM-001
12	SILICONE RESISTOR 110V - 500W	M.ELK-RZS-POL-004
13	AS264 PR. ALUMINUM PROFILE (RIGGING ELEKTRONİK)200x152x40mm	M.MUH-140
14	BOX HEATER TOOTH SHEET	YSC-GST.BOX-LZ-0001
15	DIGITAL THERMOMETER	GST.M.ELK-EDM-DGT-001
16	COVER HOLE TYPE	M.ENJ-GST-PLS-BOX-012
17	EMP.BOX-800 HEATED COVER JOINT MENTALLY	EMP.BOX-800-UL
18	EMP.BOX HEATED COVER FEMALE HINGE (LONG)	M.ENJ-GST-PLS-BOX-016
19	EMP.BOX HINGE MALE	M.ENJ-GST-PLS-BOX-004
20	EMP.MBQ.01 POWER SUPPLY SOCKET	M.ELK-PWR-ERK-001
21	RED SIGNAL LIGHT WITH SOCKET	GST.M.ELK-LMB-SNY-002
22	POWER CABLE	M.ELK-PWR-PBK-006
23	BOX-800 RACK SHELVES 60x40 TRAY	YSC-BOX-800-LZ-0003



GGM Gastro International GmbH  
Weinerpark 16  
D-48607 Ochtrup

[www.ggmgastro.com](http://www.ggmgastro.com)

[info@ggmgastro.com](mailto:info@ggmgastro.com)

+49 2553 7220 0